

imagine
extraordinary

ES | Muntins

Fixed System



ES-1500/1600

Impact-rated fixed window with architectural versatility. Offers multiple glass options, muntin styles, and shapes for high-performance and aesthetic design.



ES-EL 150

Impact-rated fixed window, pre-glazed and pre-assembled. Supports laminated glass, flange or flush frames, architectural shapes, and various elegant finish options.



ES-MX1500

Versatile impact-rated window for LMI and SMI. Offers glazing flexibility, architectural shapes, and premium finishes with solar and laminated glass options.



ES-7000

High-performance window wall with deep frame and flush glazing. Offers SMI/LMI impact resistance, integrated door adapter, and elegant design finishes.



ES-8000

Impact-resistant storefront system with clean sightlines, curved shape options, and multiple finishes. Pre-assembled and pre-glazed with optional muntins and door adapter.



ES-8000T

Thermally broken, LMI-rated storefront system. Pre-glazed, with muntin options, screw cover, and pour & debridge design for enhanced performance.



ES-9500

Impact-rated storefront and divider system with clean sightlines. Offers door adapter, architectural shapes, and strong protection against air and water infiltration.



ES-FX2020

Fixed window system compatible with ES-SGD2020. LMI/SMI-rated, for laminated glass. Offers free-standing jambs and a wide range of finish options.



ES-GW5250

Impact-certified window wall with sharp corners, pre-glazed system, and deep frames. Designed for insulated glass and available in premium finishes.

Operable System



ES-P300

Thermally broken window in fixed, awning, or casement styles. LMI/SMI rated. Retrofit look with lever handle and multipoint locking options.



ES-P252

Impact-rated casement and awning system with thermal performance and strong locking. Sightlines vary per configuration. Stainless steel hinges and head receptor options.



ES-DH400

Thermally broken double hung window with lift balance systems and weather stripping. Not certified. Available with screens, lock options, and multiple frame finishes.



ES-EL100

Impact-rated window with frame and sill options. Designed for laminated glass. Available with vent latch or sweep lock and flange combinations.



ES-H340

Thermally broken single hung window with impact resistance and insulation. Sweep lock or vent latch available. Optional screens, muntins, and premium finishes.



ES-5000

High-impact project-out window with strong corner reinforcements. Compatible with fixed ES-5100. Includes multipoint lock, stainless hinges, weather stripping, and screen options.



ES-P450

Project-out window with deep frame and strong hinges. Designed for insulated glass. Includes multipoint lock and thermal finishes for performance and aesthetics.



ES-P250

Versatile window system in casement, awning, or fixed styles. Multipoint lock, strong hinges, and thermal finishes. Sightline and frame options available.



ES-P251

Versatile casement window system with multipoint lock and multiple configurations. Designed for insulated glass and heavy-duty performance.



HC-200

Impact-rated casement window with laminated glass options, decorative muntins, and easy-to-clean four-bar hinges.

Sliding System



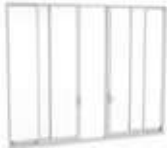
ES-EL200

Robust impact window with multiple flange frame options and configurations. Designed for performance and security.



ES-EL400

High-performance sliding door system with multiple tracks, impact resistance, and reinforced interlocks.



ES-SGD2020

Impact sliding glass door with up to 5 tracks and ADA sill options. Built for durability and accessibility.



ES-SGD2020T

Thermally broken impact-rated door system with corner options, multiple tracks, and ADA flush sill compatibility.



ES-SGD1010T

Minimalist sliding door with slim sightlines, multiple panel setups, and reinforced interlocks for modern design.



ES-SW340

Thermally broken impact sliding window with high design loads and insulated laminated glass options.



ES-MX2000

Impact sliding window with flexible frame options, surface muntins, and screen availability.



HR-2600

Durable impact-rated window with multiple configurations and aluminum finger lock for secure closure.



2400ST

Sliding door system with wide panels, impact resistance, and ergonomic locking handle with exterior key option.



DM-12

Heavy-duty sliding door system with polyamide rollers and laminated glass design for superior impact resistance.



ES-6000/6100

Impact sliding door system with various configurations, ergonomic handle, and laminated or insulated glass options.



ES-MX4000

Impact-rated sliding door with low-e glass options, up to 4 panels, and sleek aluminum finishes.



ES-D451

Thermal sliding door with robust locking, multiple configurations, and high insulation performance.



PH-3200

Impact-rated sliding system with up to four panels and screen option for added versatility.

Sliding System / Swing System

ES-BF5010T



Bifolding system that allows you to join two spaces effortlessly. Provides a completely clear opening with a maximum of 120" in height.

Swing System



ES-3000/MX3000

Out-swing aluminum door pre-assembled for fast installation, designed for laminated glass and hurricane resistance.



ES-45T

Thermally broken balcony door with ADA threshold and multipoint lock. Fully weather-sealed and customizable.



ES-46T

Thermal impact door with advanced locking and compatibility with window wall systems for seamless integration.



ES-9000/9100

Heavy-duty impact door with narrow sightlines and premium finishes for modern, secure entryways.



ES-EL300

Impact-rated door with ADA threshold, steel hinges, and edge drip. Pre-glazed, supports laminated and insulated glass.



ES-PSD5030T

Thermal pivot door with multipoint lock, ADA threshold, and versatile finishes. Supports glass or phenolic panels.



ES | Fixed System

ES-1500/ES-1600

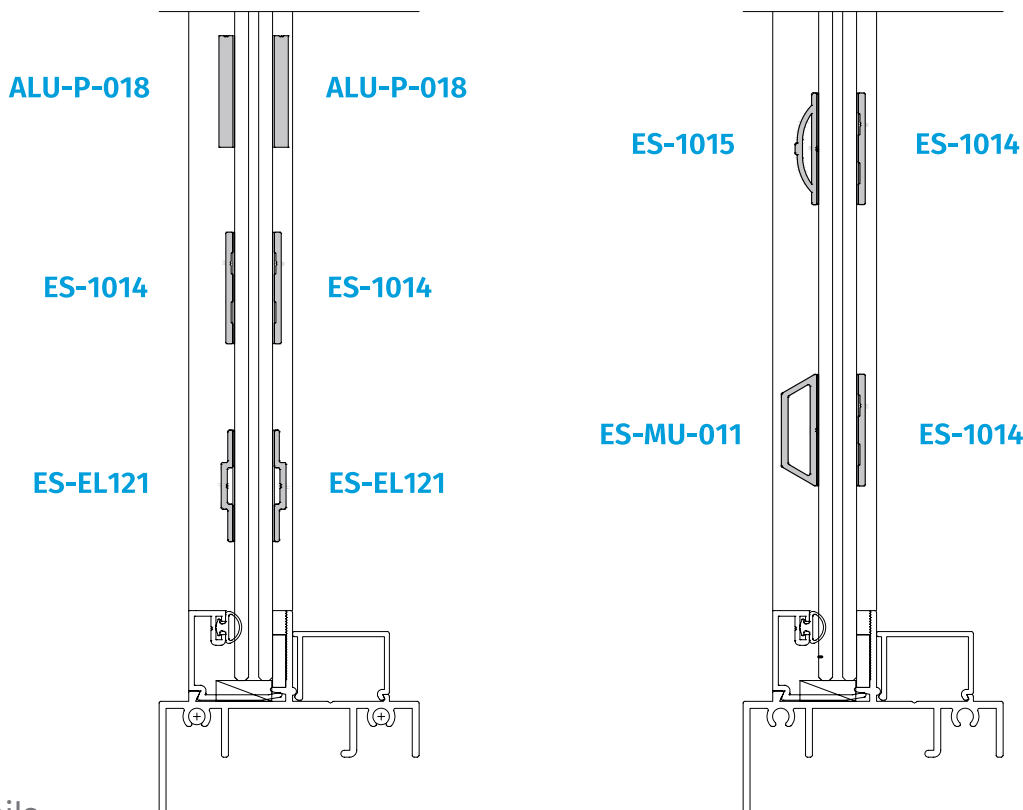
Fixed System

Description:

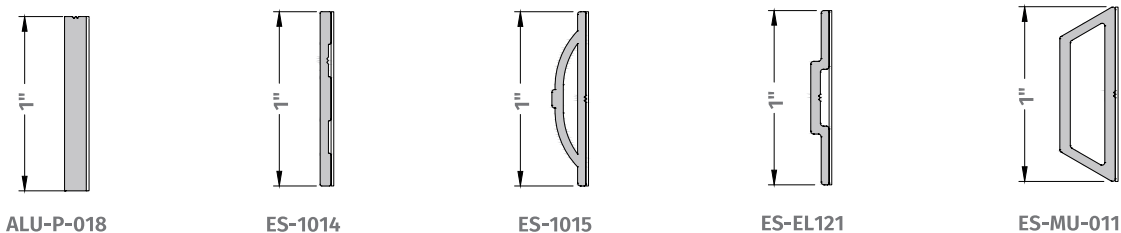
- ES-1500 is an impact-rated fixed window.
- LMI (Large missile impact) and SMI (Small missile impact).
- Frame depth: 2 5/16".
- Designed for multiple glass options (Certifications might not consider every configuration).
- Flange frame available.
- Surface applied ogee or flat muntins
- Architectural shapes available.



Fixed System / Laminated Glass



Grid Details



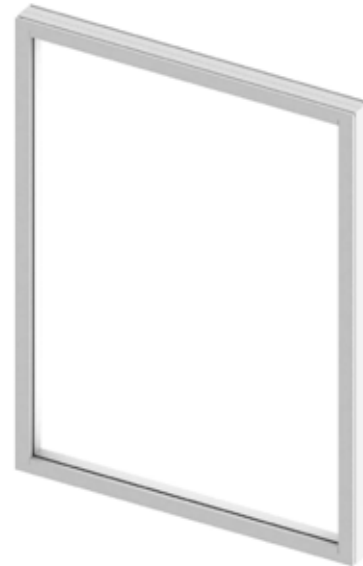
This data corresponds to the highest values obtained for some configurations. It can vary and may not apply to all.

ES-EL150

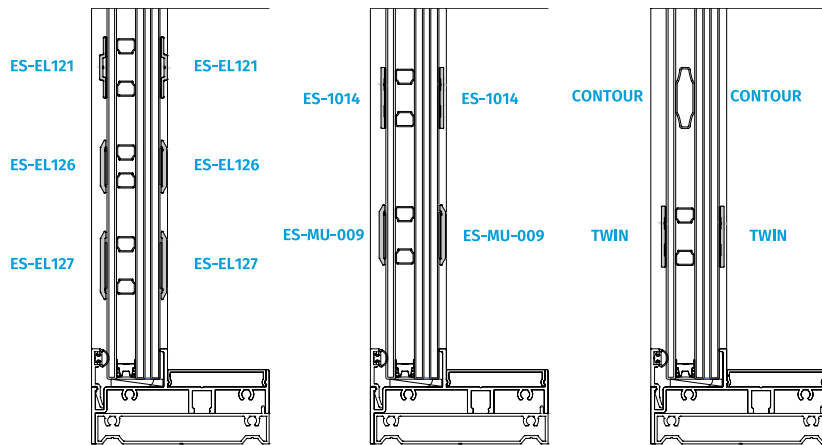
Fixed System

Description:

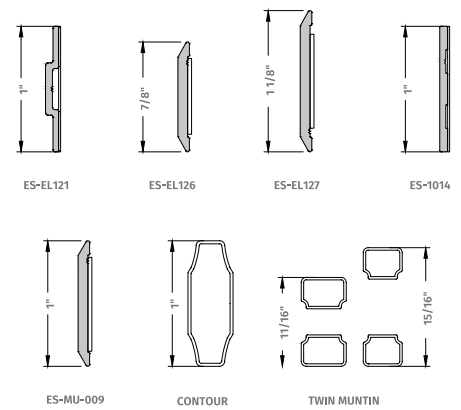
- Fixed window system.
- Large Missile Impact.
- Pre-assembled & pre-glazed
- Designed for laminated and insulated-laminated glass.
- Architectural shapes available.
- Flange frame, flush frame adapter & flush frame adapter with fin options.
- Anodized, painted and wood grain finishes available.



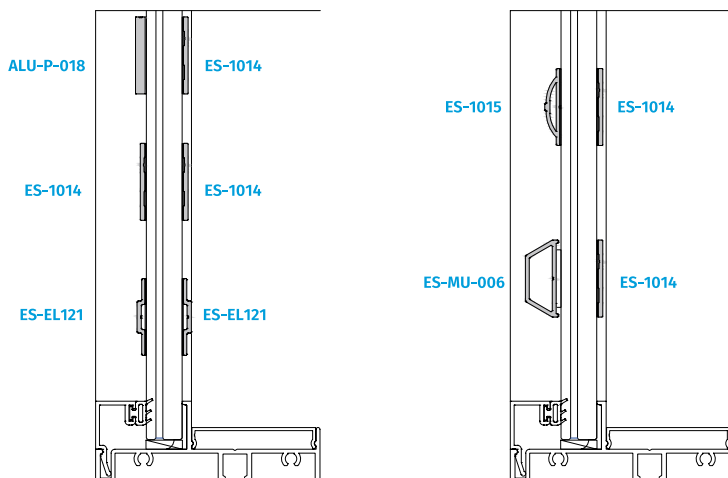
Fixed System / Insulated-Laminated Glass



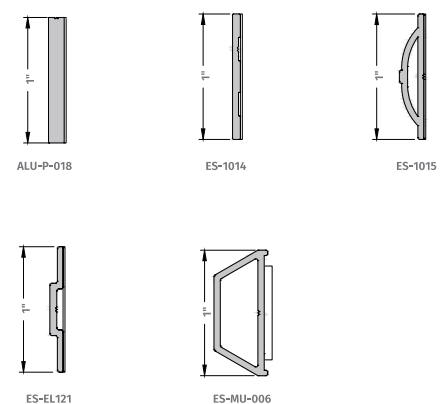
Grid Details



Fixed System / Laminated Glass



Grid Details



This data corresponds to the highest values obtained for some configurations. It can vary and may not apply to all.

ES-MX1500

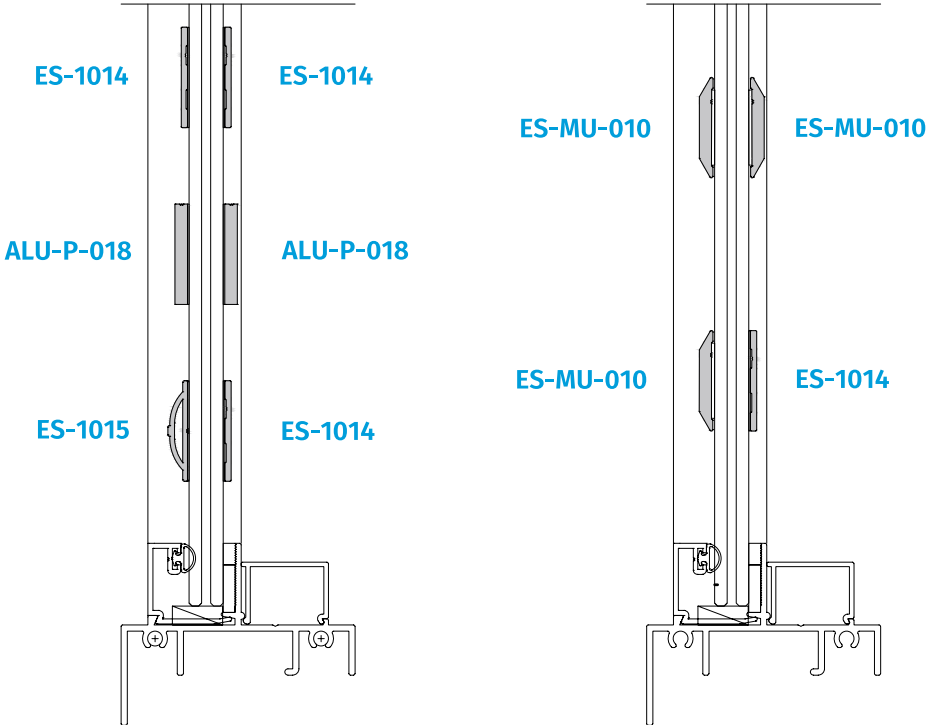
Fixed System

Description:

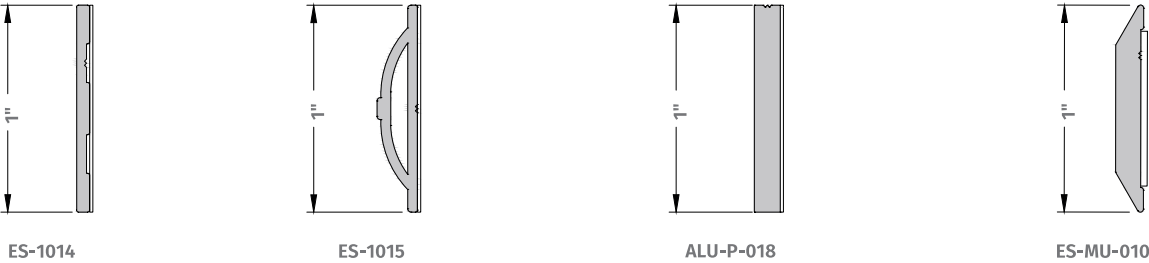
- ES-MX1500 is an impact-rated fixed window.
- LMI (Large missile impact) and SMI (Small missile impact).
- Frame depth: 2 5/16".
- Designed for 5/16" glass and 7/16" heat strengthened glass.
- Flange frame available.
- PVB laminated glass with coating options available.
- Architectural shapes available.



Fixed System / Laminated Glass



Grid Details



This data corresponds to the highest values obtained for some configurations. It can vary and may not apply to all.

ES-7000

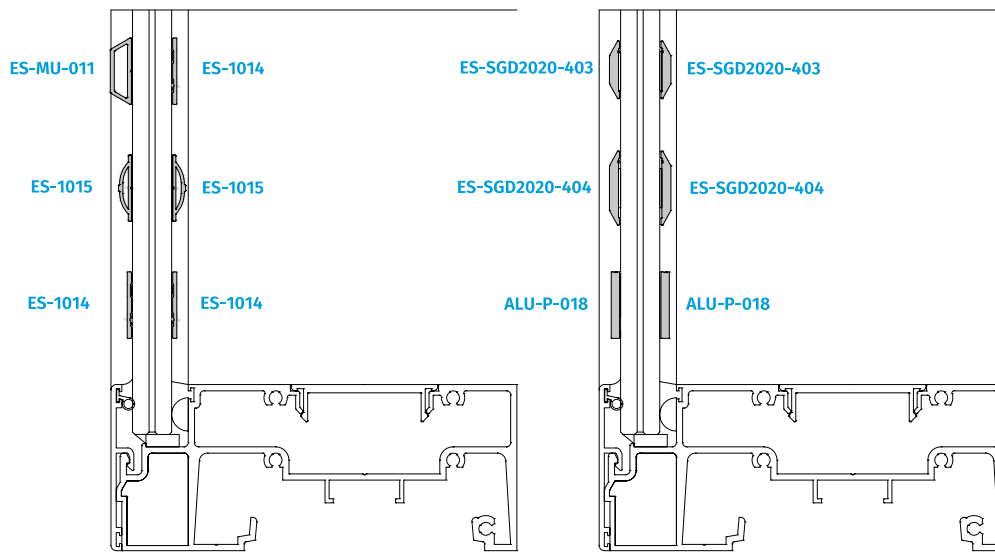
Fixed System



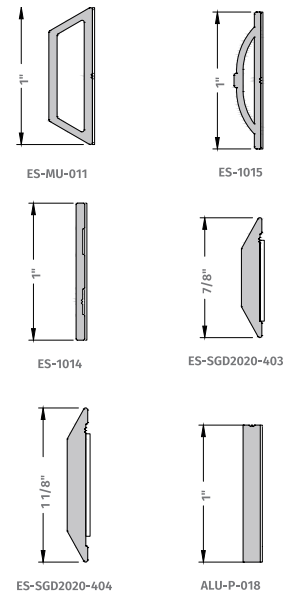
Description:

- Window wall system.
- Frame depth: 6 1/8".
- Flush glazed.
- Designed for 9/16" Laminated Glass and 1 5/16" insulated laminated glass.
- ES-7100 SMI (Small missile) ES-7000 LMI (Large missile impact). (Certifications might not consider every configuration).
- Pre-Assembled and Pre-Glazed.
- Integrated door adapter.
- Screw covers.
- Anodized, painted finishes available.

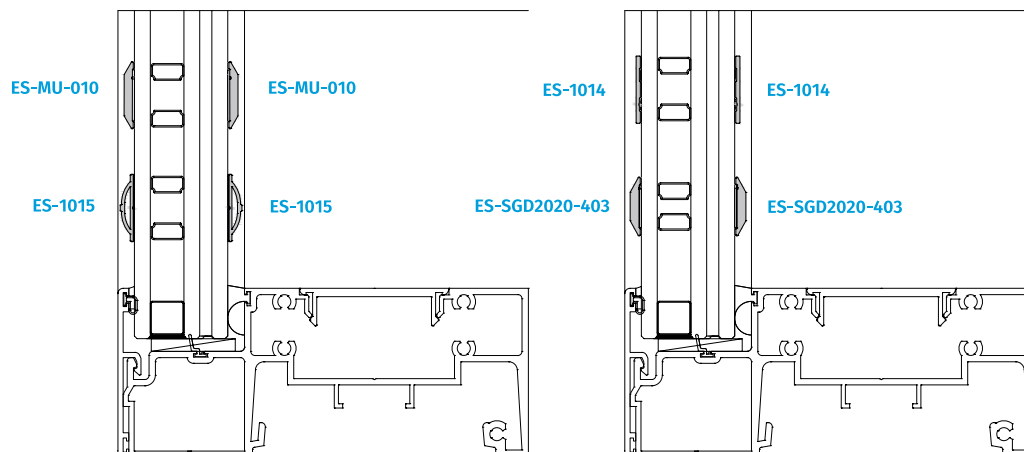
Fixed System / Laminated Glass



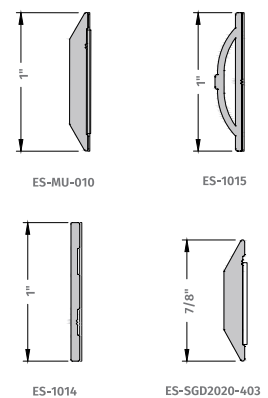
Grid Details



Fixed System / Insulated-Laminated Glass



Grid Details

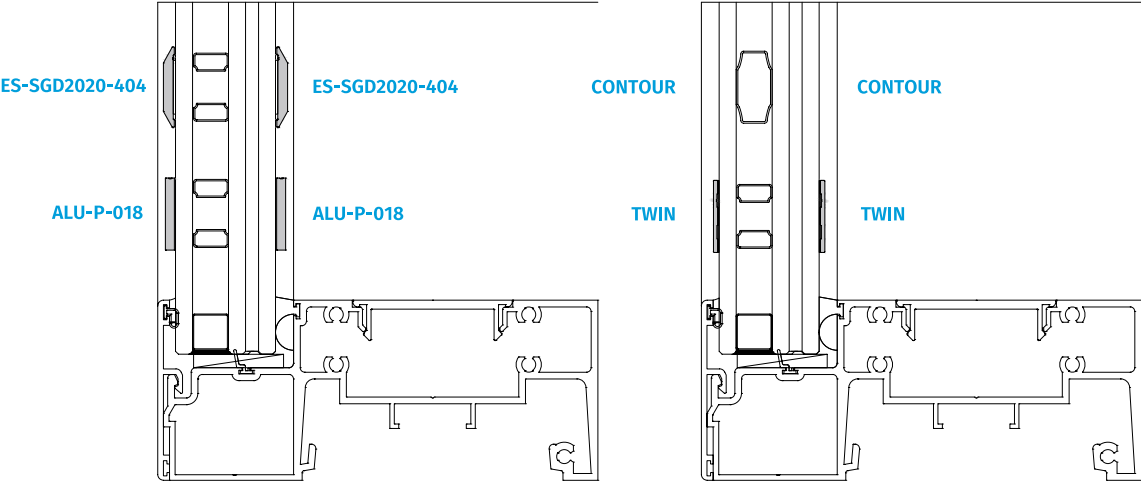


This data corresponds to the highest values obtained for some configurations. It can vary and may not apply to all.

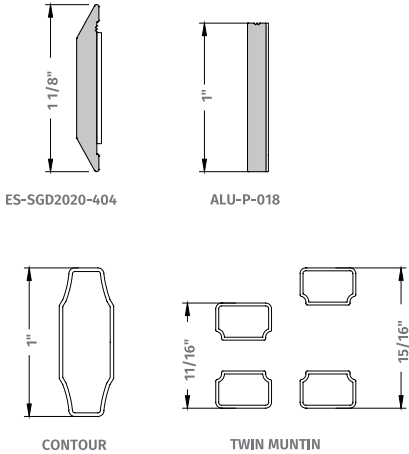
ES-7000

Fixed System

Fixed System / Insulated-Laminated Glass



Grid Details



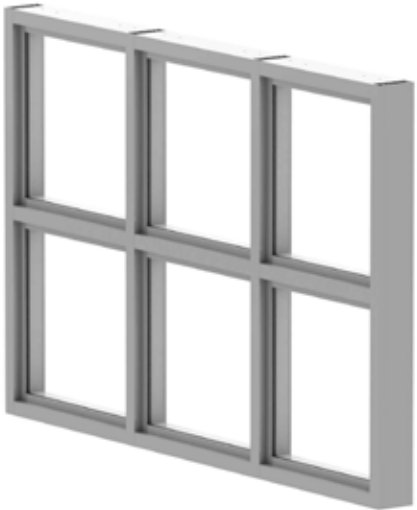
This data corresponds to the highest values obtained for some configurations. It can vary and may not apply to all.

ES-8000

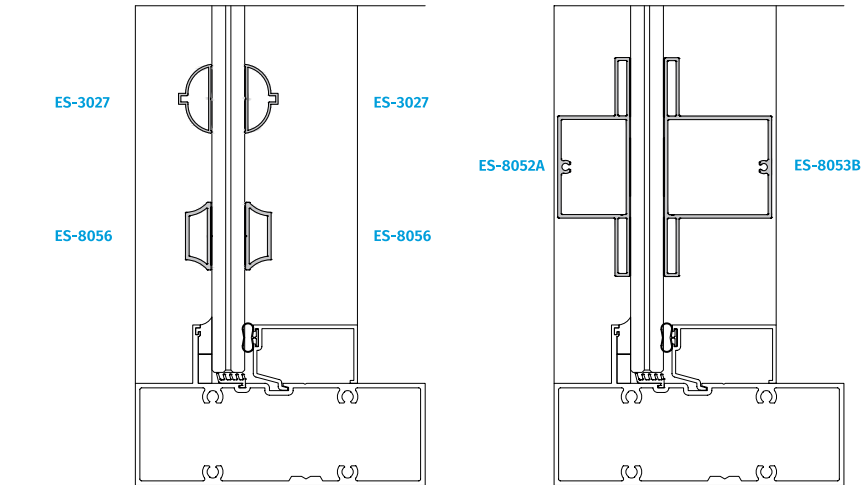
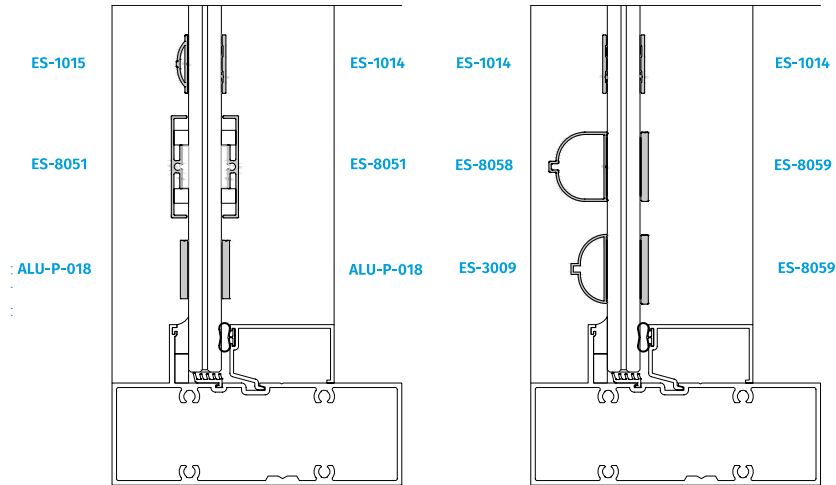
Fixed System

Description:

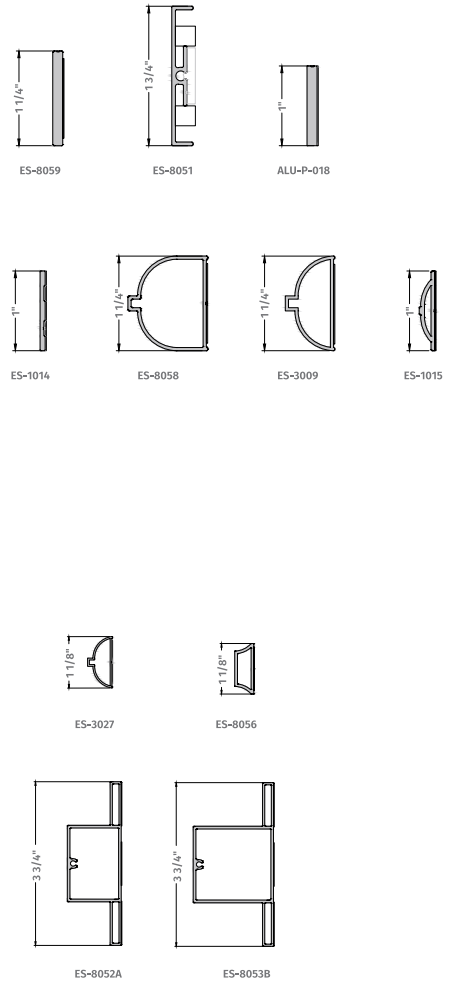
- Storefront system.
- Frame depth: 5".
- Sight line: 2-3/4".
- Designed for 9/16" laminated glass.
- LMI (Large missile impact), SMI (Small missile impact)
- Minimum curving radius for architectural shapes: 26".
- Pre-assembled & pre-glazed.
- Integral door adaptor.
- Surface applied ogee or flat muntins.
- Anodized, painted and wood grain finishes available.



Fixed System / Laminated Glass



Grid Details

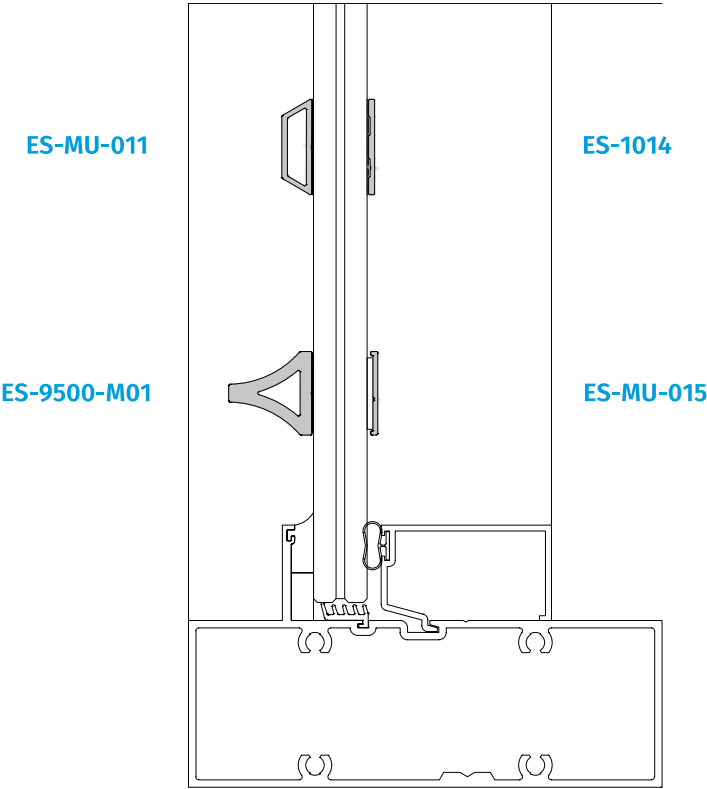


This data corresponds to the highest values obtained for some configurations. It can vary and may not apply to all.

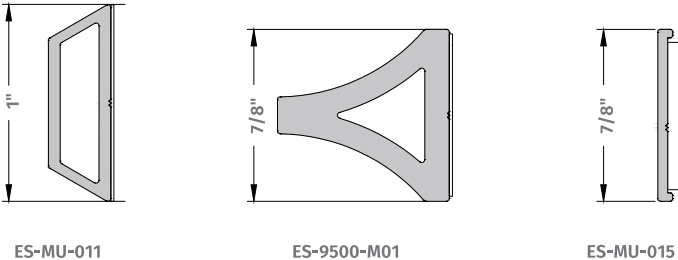
ES-8000

Fixed System

Fixed System / Laminated Glass



Grid Details



This data corresponds to the highest values obtained for some configurations. It can vary and may not apply to all.

ES-8000T

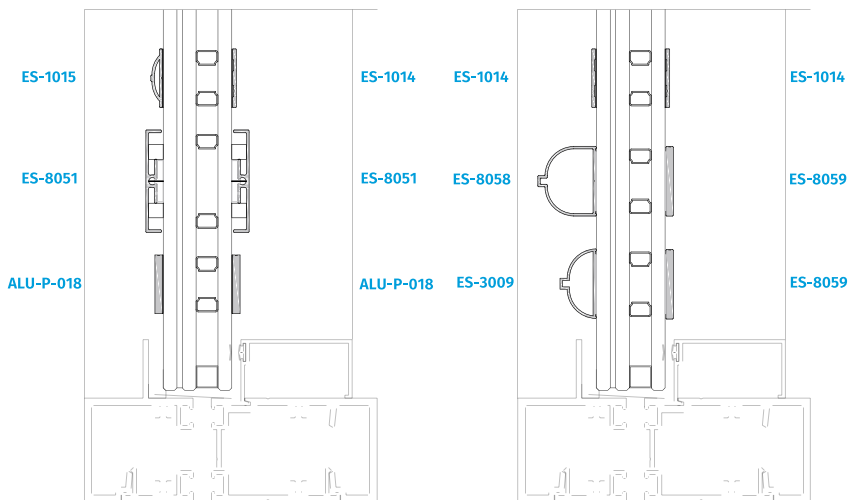
Fixed System

Description:

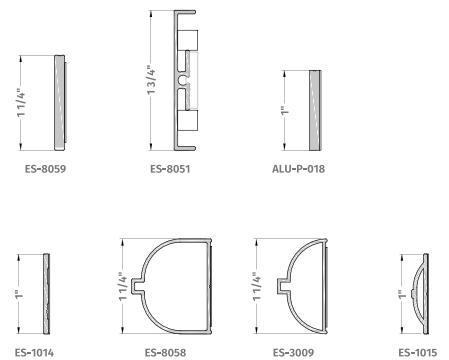
- Large missile impact.
- Frame depth: 5".
- Thermally broken system.
- Designed for: Insul-lam. glass.
- Screw cover.
- Pour and debrige.
- Pre-assembled and pre-glazed.
- Surface applied ogee or flat muntins.



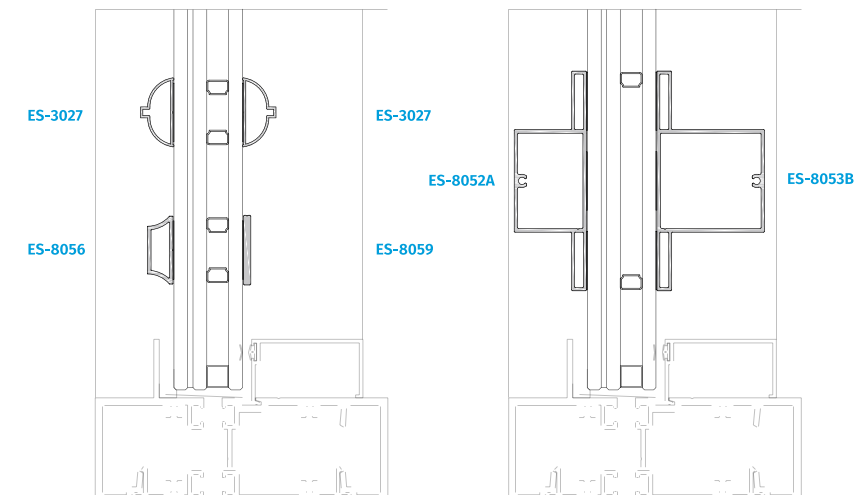
Fixed System / Insulated-Laminated Glass



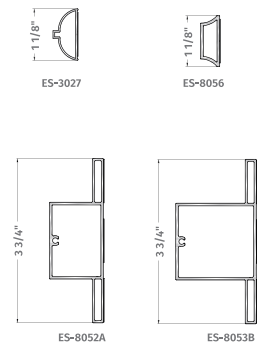
Grid Details



Fixed System / Laminated Glass



Grid Details

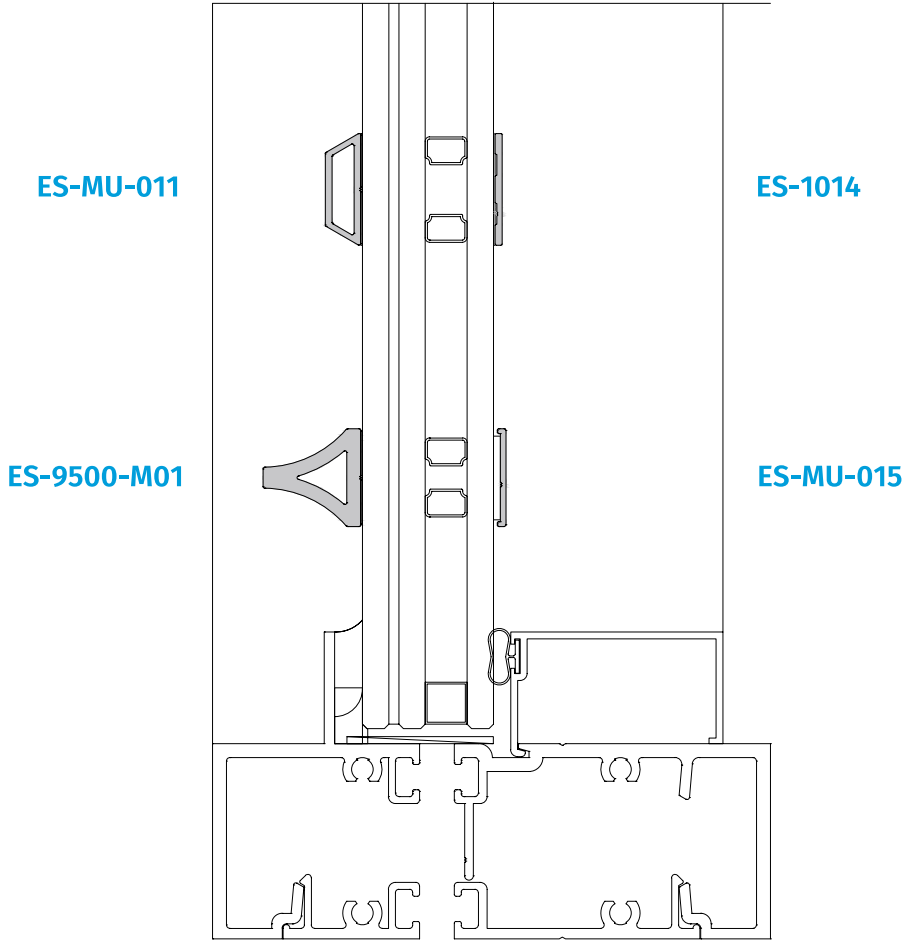


This data corresponds to the highest values obtained for some configurations. It can vary and may not apply to all.

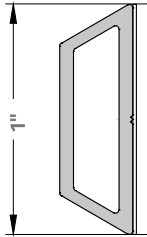
ES-8000T

Fixed System

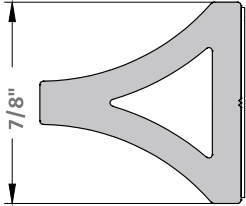
Fixed System / Insulated-Laminated Glass



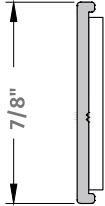
Grid Details



ES-MU-011



ES-9500-M01



ES-MU-015

This data corresponds to the highest values obtained for some configurations. It can vary and may not apply to all.

ES-9500

Fixed System

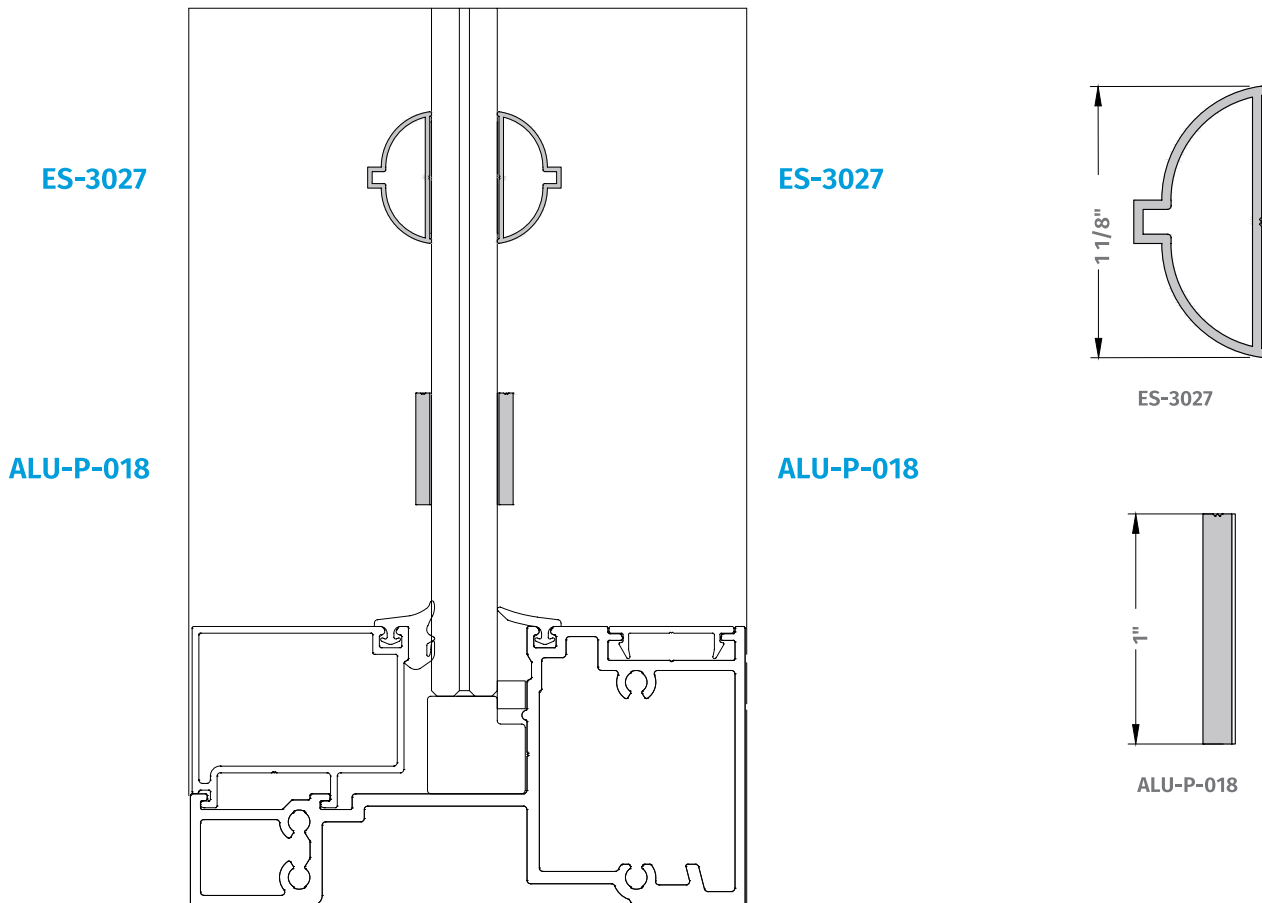
Description:

- Storefront and balcony divider system.
- Large missile impact.
- Front: 2.5".
- Frame depth: 5".
- Designed for 9/16" laminated glass & 1 5/16" insulated-laminated glass.
- Pre-assembled & pre-glazed.
- Integrated door adapter.
- Enhanced resistance to air and water infiltration.



Fixed System / Laminated Glass

Grid Details



This data corresponds to the highest values obtained for some configurations. It can vary and may not apply to all.

ES-FX2020

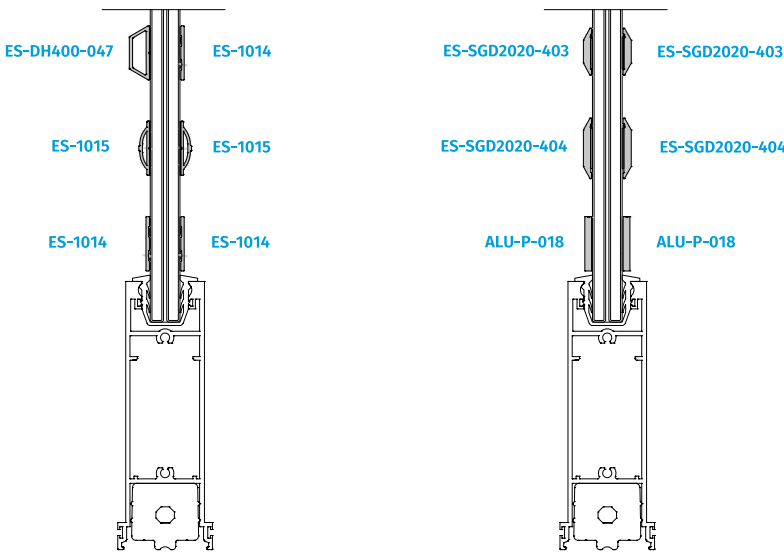
Fixed System

Description:

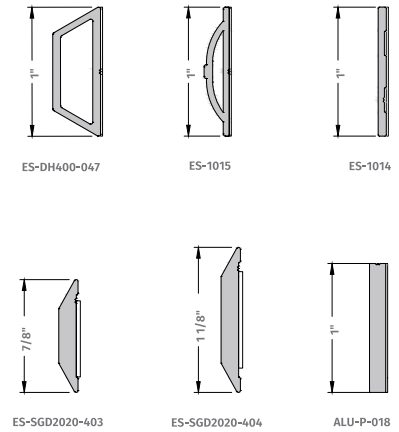
- Series ES-2020 Fixed window system.
- Rated for large and small missile impact (L.M.I. & S.M.I.).
- Frame depth: 6 7/16" (3 tracks) and 8 1/2" (4 tracks).
- Designed for laminated and insulating laminated glass options. (Certifications might not consider every configuration).
- Designed to match the ES-SGD2020 sliding glass door system.
- Free standing jambs.
- Anodized, painted finishes available.



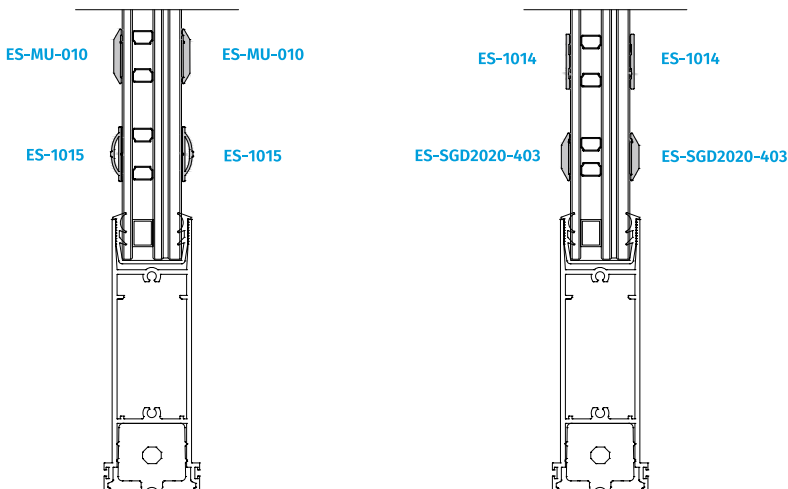
Fixed System / Laminated Glass



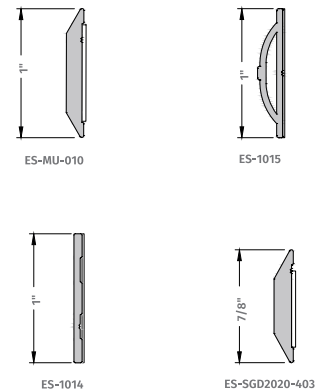
Grid Details



Fixed System / Insulated-Laminated Glass



Grid Details

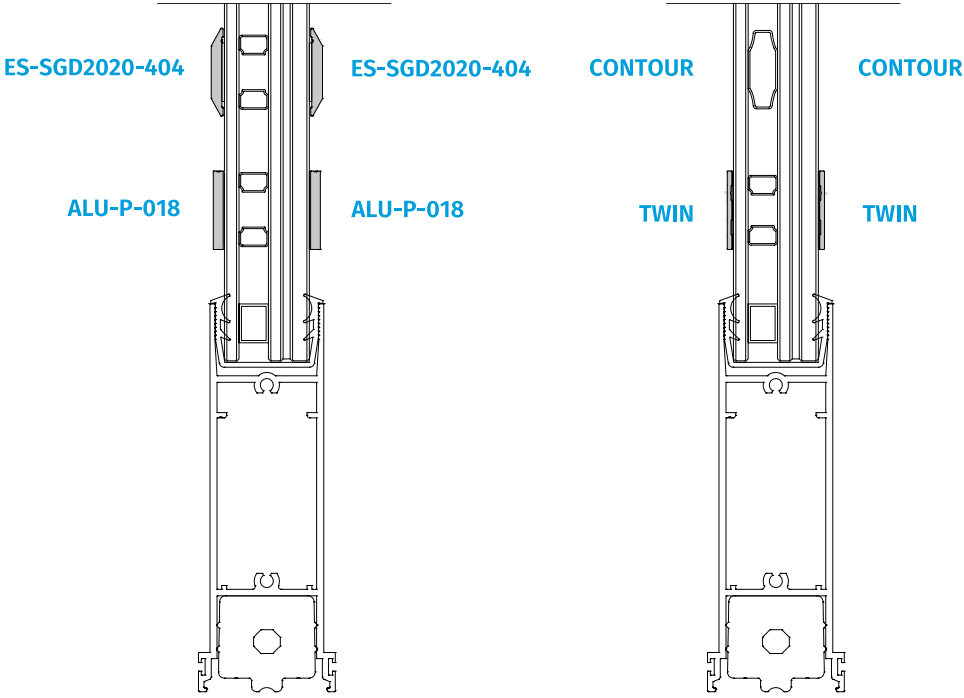


This data corresponds to the highest values obtained for some configurations. It can vary and may not apply to all.

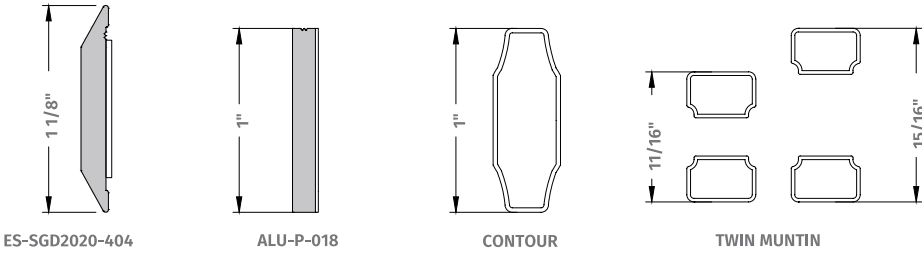
ES-FX2020

Fixed System

Fixed System / Insulated-Laminated Glass



Grid Details



This data corresponds to the highest values obtained for some configurations. It can vary and may not apply to all.

ES-GW5250

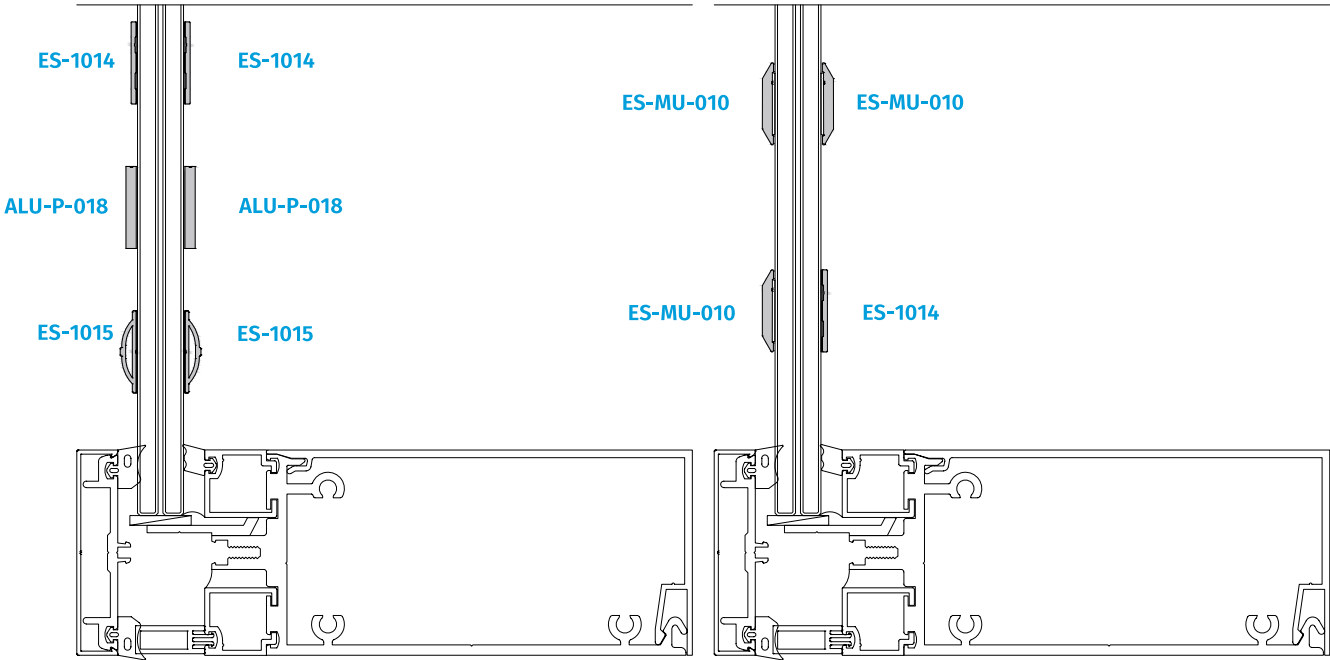
Fixed System

Description:

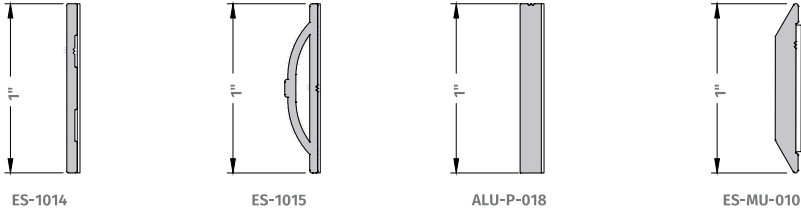
- Certified for Large Missile Impact and Small Missile Impact
- Frame depth: 6 13/16" (Captured, 5 3/16" (SSG).
(Certifications may not consider all configurations.).
- Pre-assembled and pre-glazed.
- 90 degrees outside corners.
- Designed for insulated glass of 1 5/16".
- Anodized, painted finishes available.



Fixed System / Laminated Glass



Grid Details



This data corresponds to the highest values obtained for some configurations. It can vary and may not apply to all.



ES

Operable System

ES-P300

Operable System

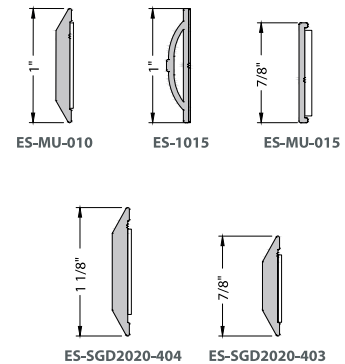
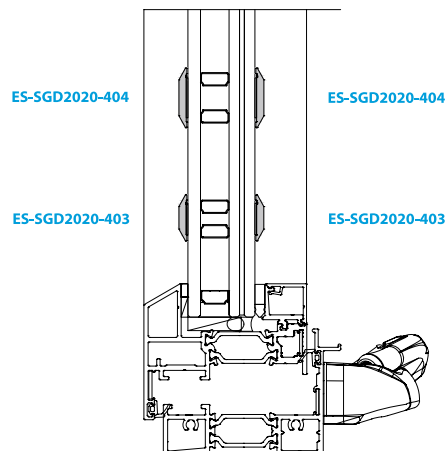
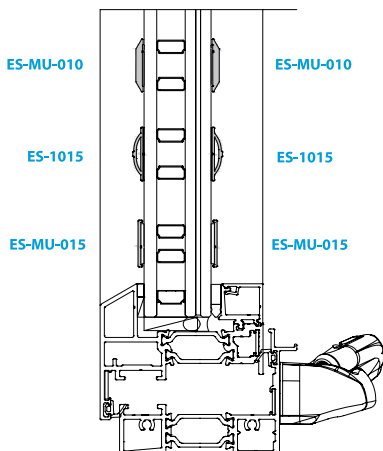
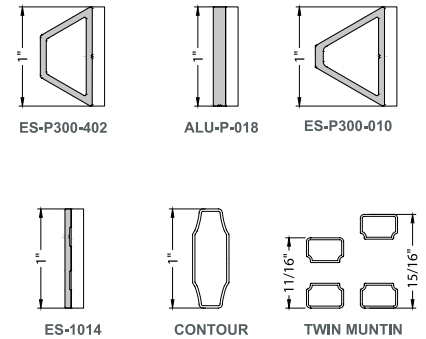
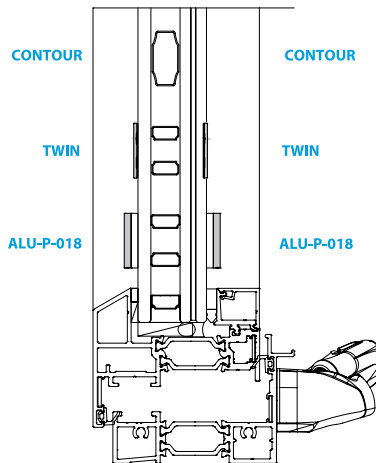
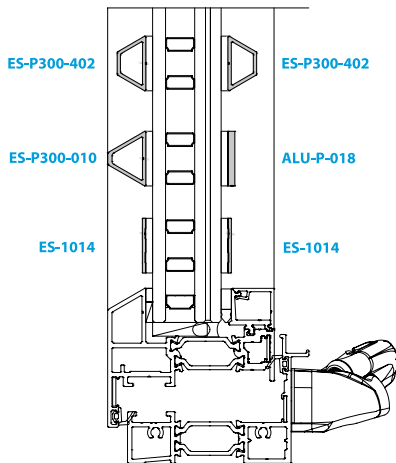
Description:

- Small and large missile impact rated.
- Frame depth: 3".
- Fixed, awning and casement configurations.
- Tested frame width up to: 60".
- Tested frame height up to: 96".
- Designed for 1" insulated and 1 - 3/16" insulated laminated glass.
- Fully thermally broken.
- Multi point locking and roto-operator system option.
- Lever handle option.
- Interior trim or receptor installation.
- Retrofit design look.
- Fin and flange options available.
- Edge drip available.
- Anodized, painted and wood grain finishes available.



Operable System / Insulated-Laminated Glass

Grid Details

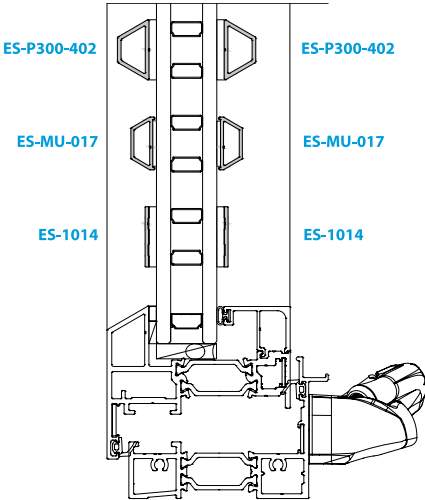
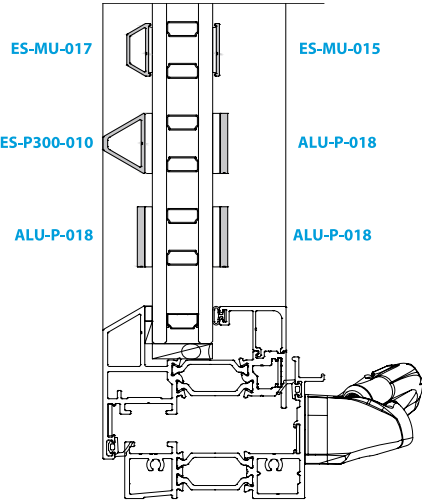


This data corresponds to the highest values obtained for some configurations. It can vary and may not apply to all.

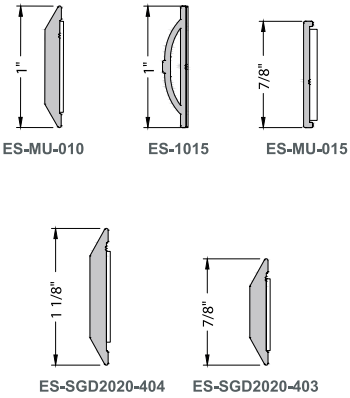
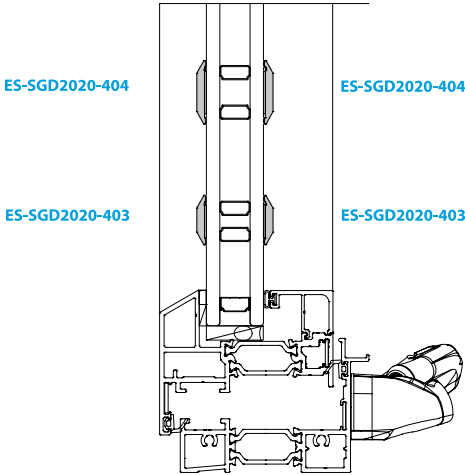
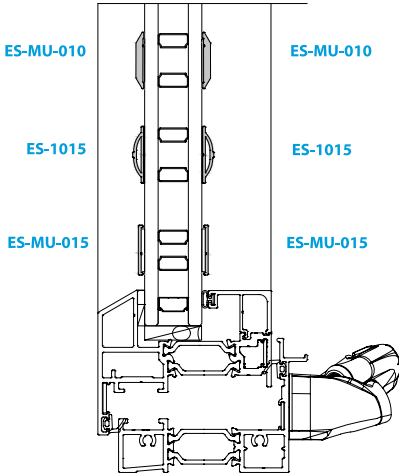
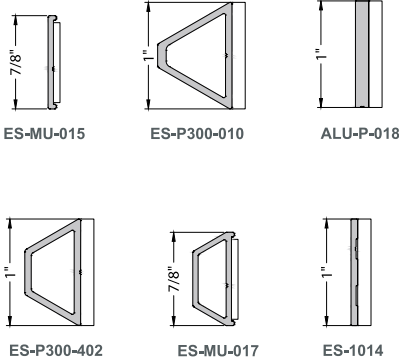
ES-P300

Operable System

Operable System / Insulated Glass



Grid Details



This data corresponds to the highest values obtained for some configurations. It can vary and may not apply to all.

ES-P252

Operable System

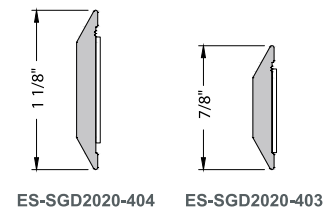
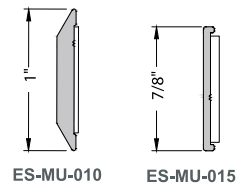
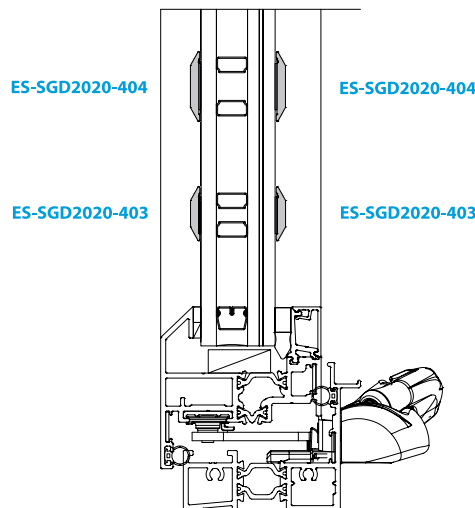
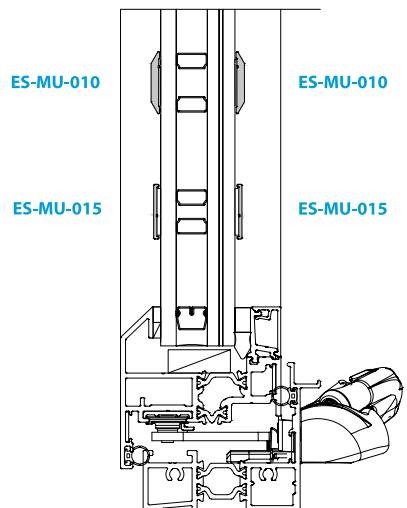
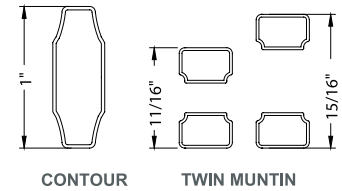
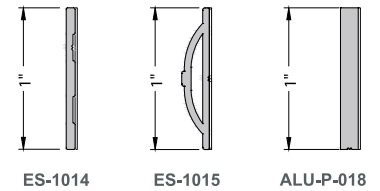
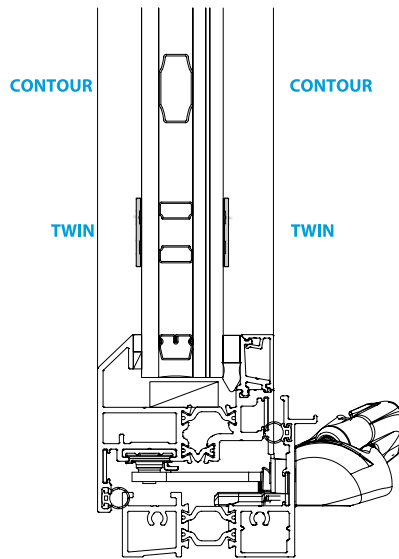
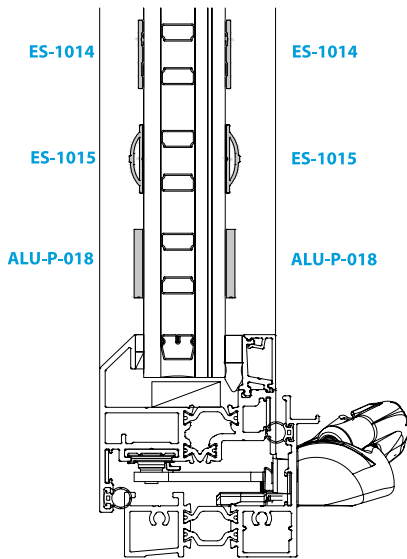
Description:

- SMI & LMI (Small & large missile impact)
- Designed for 9/16" and 1 3/16" insulating-laminated glass.
- Frame depth: 2 1/2".
- Sightlines: 3 1/4" (Casement and awning standard); 2 3/4" (fixed).
- Multi point lock.
- Enhanced thermal performance.
- Head receptor, subsill and strap anchors option.
- Heavy duty stainless steel for bar hinge or butt hinges.
- Edge drip available.



Operable System / Insulated-Laminated Glass

Grid Details

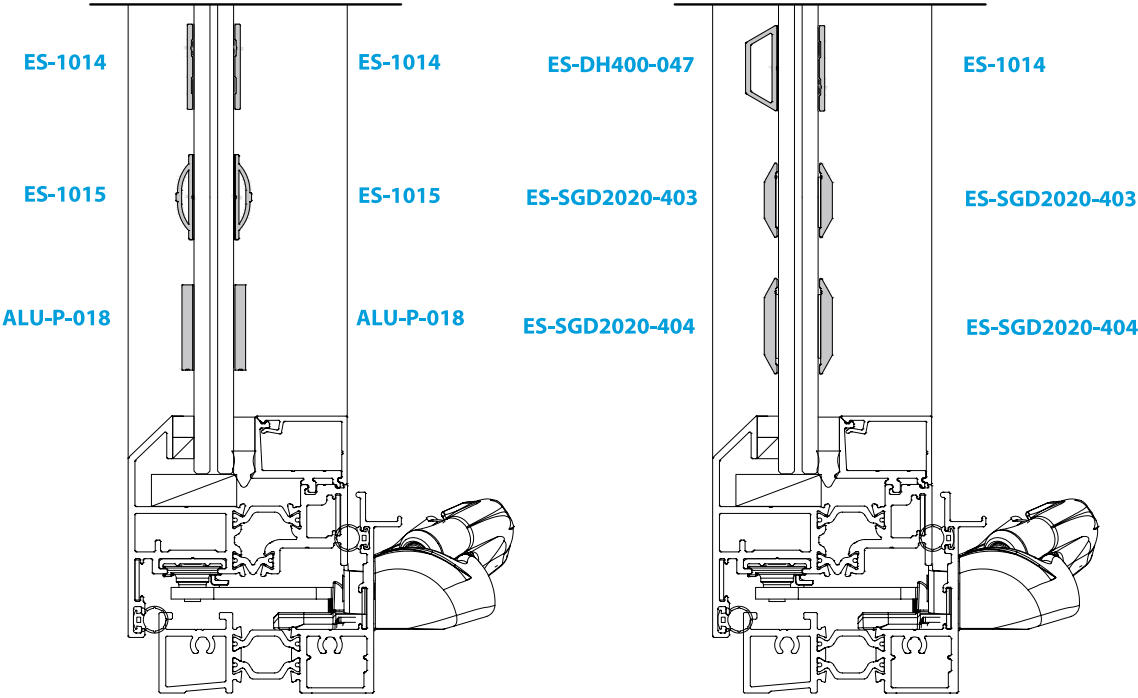


This data corresponds to the highest values obtained for some configurations. It can vary and may not apply to all.

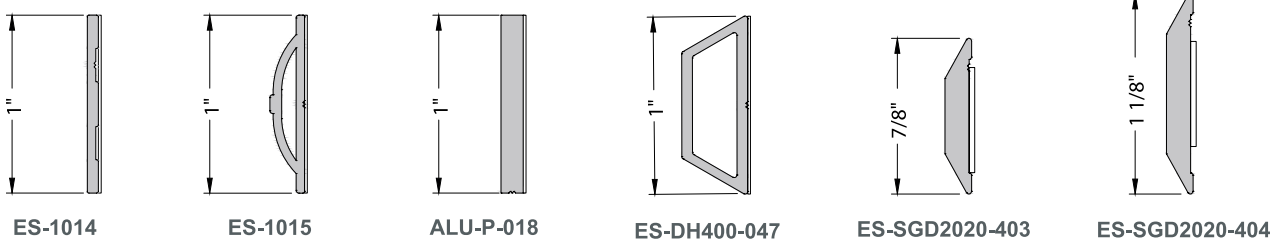
ES-P252

Operable System

Operable System / Laminated Glass



Grid Details



This data corresponds to the highest values obtained for some configurations. It can vary and may not apply to all.

ES-DH400

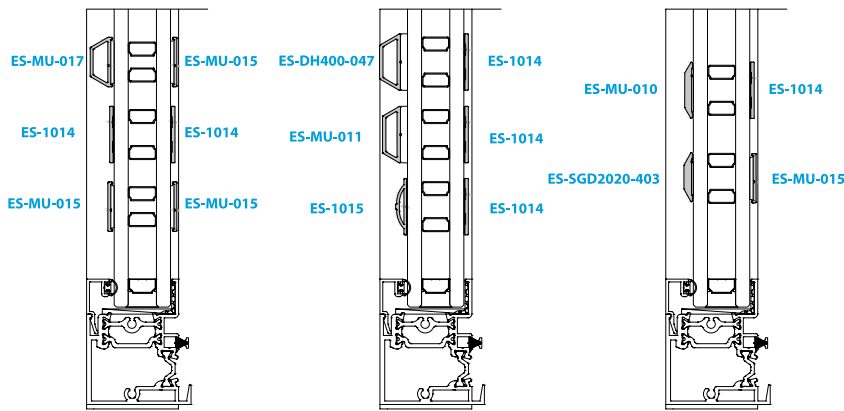
Operable System



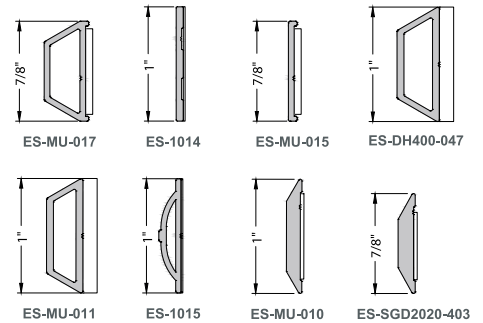
Description:

- Thermally broken, double hung window system.
- Frame depth: 4" without anchor.
- Designed for 1" insulated glass and double insulation glass. (This system is not certified).
- Ultralift spiral balances and block & tackle balances available.
- Sweep lock or vent latch as locking options.
- Flange frame or frame receptor available.
- Anchor options: Anchor clip, strap anchor and receptor available.
- Fully weather-stripped.
- Screens available in aluminum frame and fiberglass mesh.
- Anodized, painted finishes available.

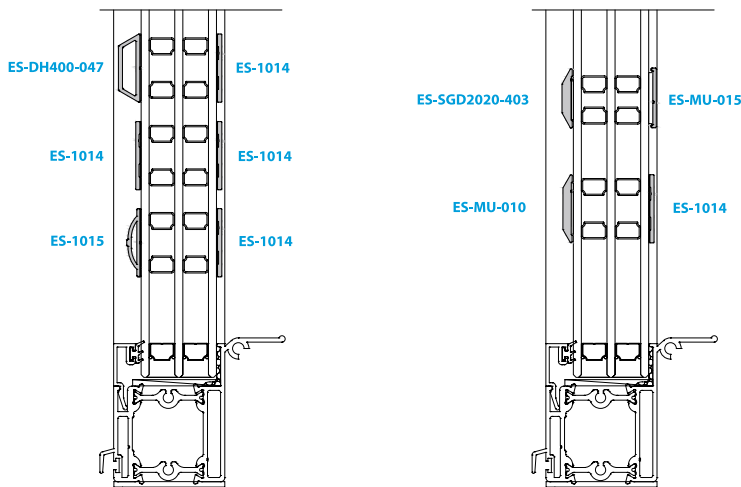
Operable System / Insulated Glass



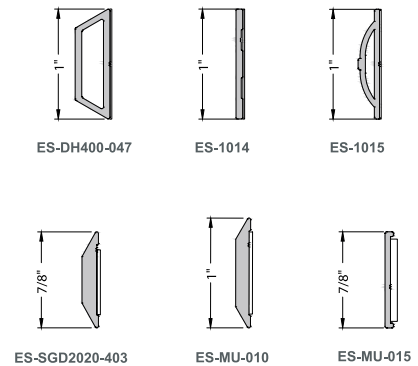
Grid Details



Operable System / Double-Insulated Glass



Grid Details



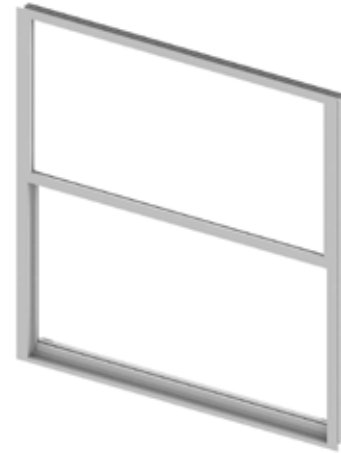
This data corresponds to the highest values obtained for some configurations. It can vary and may not apply to all.

ES-EL100

Operable System

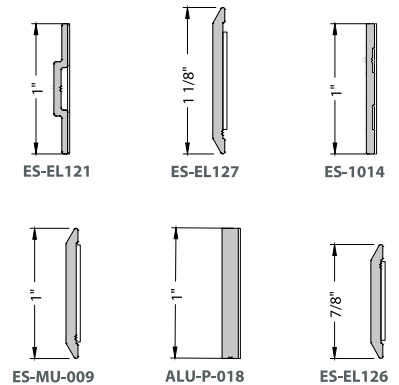
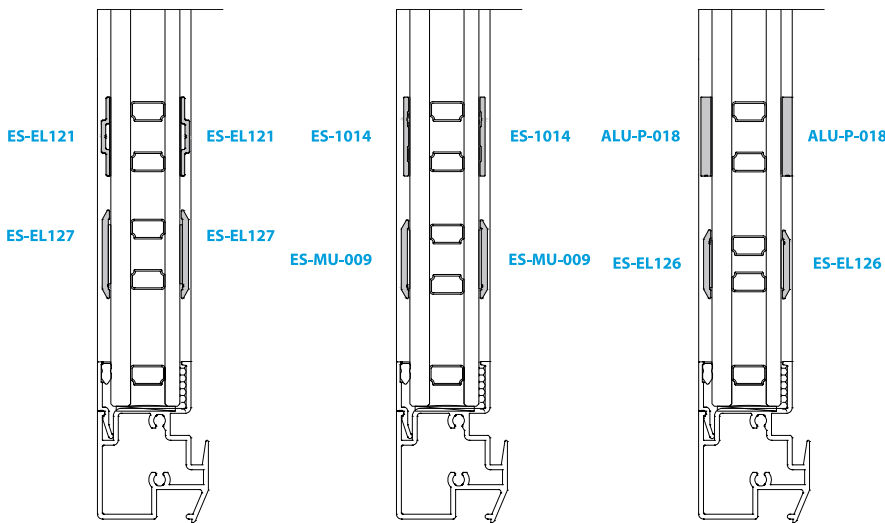
Description:

- Large missile impact.
- Frame depth: 3 1/16".
- Front: 2 7/8".
- Sill height: 2 13/16" (STD), 3 3/16" (HI-RISE).
- Designed for laminated and insulating-laminated glass.
- Flange frames, flange frames with flush adapter and flange frames with fin adapter.
- Optional frame sill (Hi-Rise).
- Vent Latch SK08-4010 or sweep lock SL320.



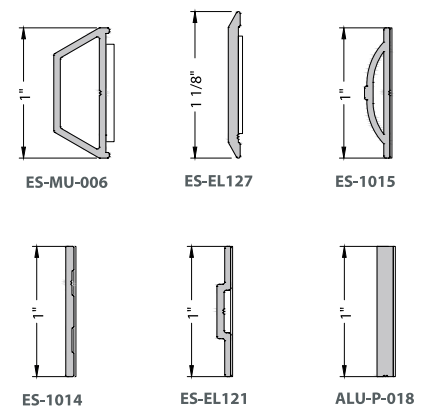
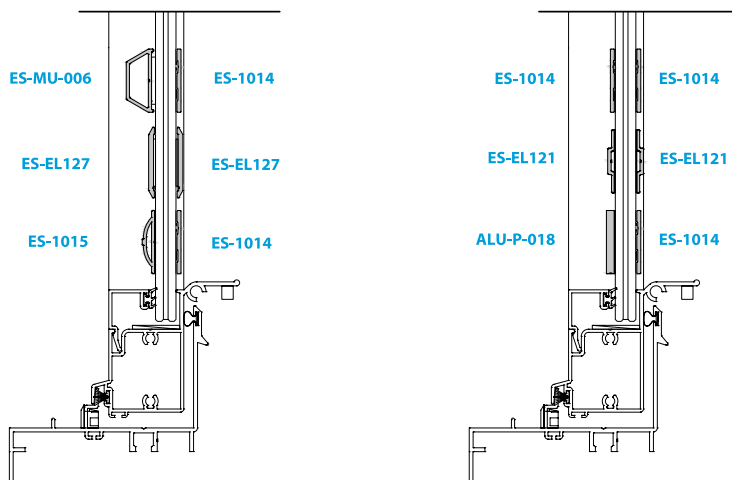
Operable System / Insulated Glass

Grid Details



Operable System / Laminated Glass

Grid Details



This data corresponds to the highest values obtained for some configurations. It can vary and may not apply to all.

ES-H340

Operable System

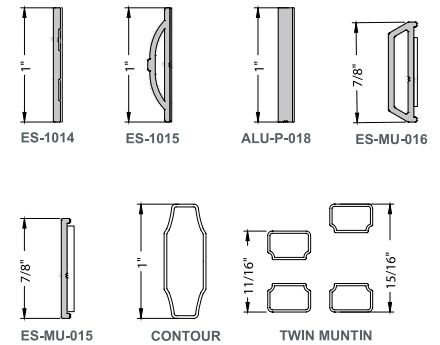
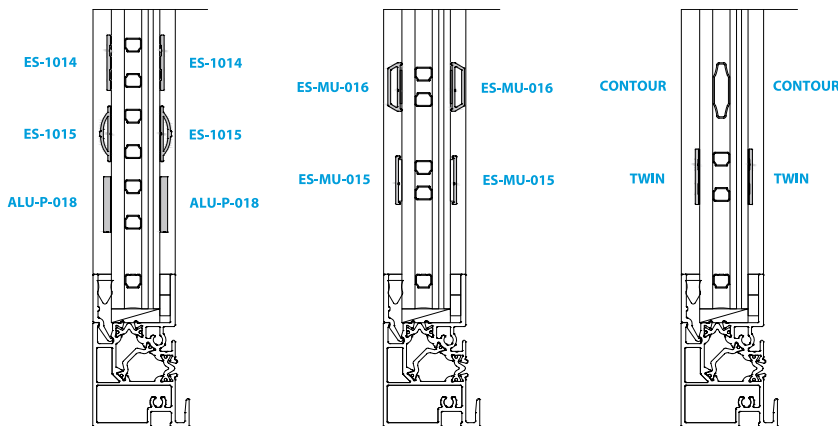
Description:

- Impact rated, thermally broken single hung window.
- Large and small missile impact rated.
- Frame depth: 3 3/8".
- Designed for 7/8" insulated laminated glass.
- (Certifications might not consider every configuration).
- Ultralift spiral balances.
- Sweep lock or vent latch as locking options.
- Flange frame or flush frame available.
- Fully weather-stripped.
- Screens available in aluminum frame and fiberglass mesh.
- Muntins options available.
- Anodized, painted and wood grain finishes available.



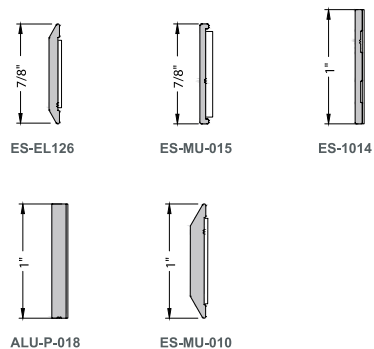
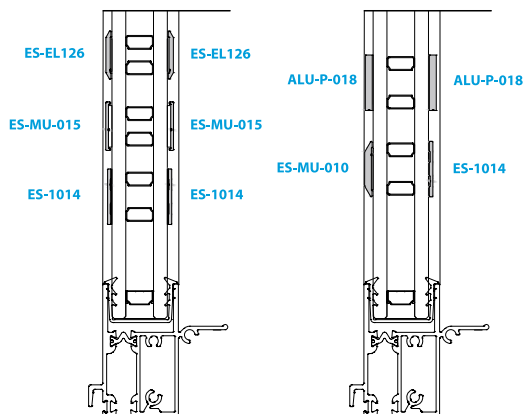
Operable System / Insulated-Laminated Glass

Grid Details



Operable System / Insulated Glass

Grid Details



This data corresponds to the highest values obtained for some configurations. It can vary and may not apply to all.

ES-5000

Operable System

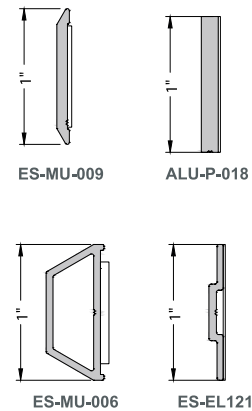
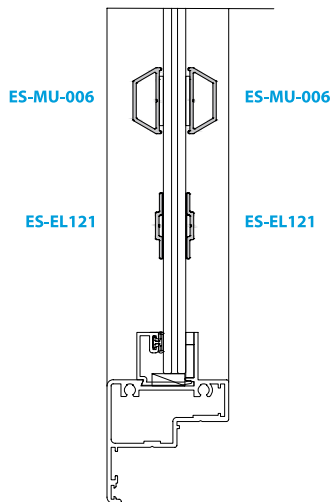
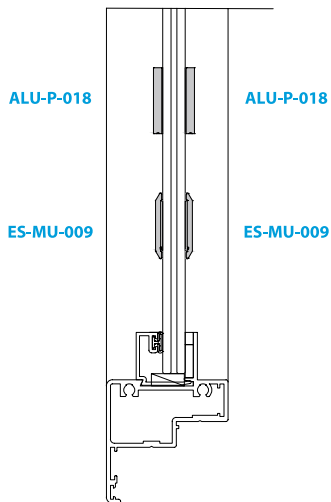
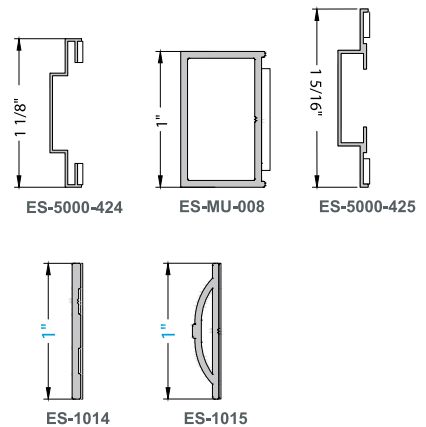
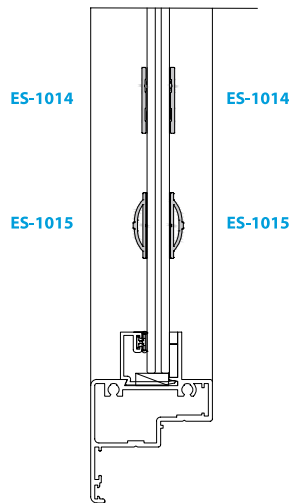
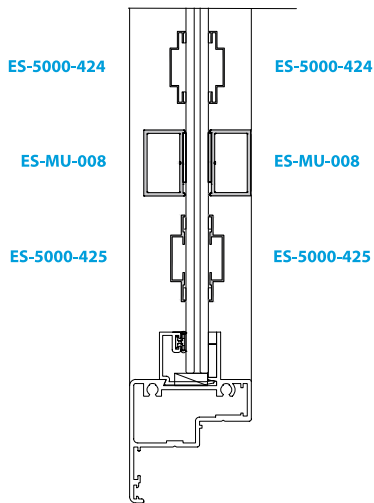
Description:

- ES-5000 is a high impact project-out window. The system integrates with its fixed window version ES-5100.
- LMI (Large missile impact) and SMI (Small missile impact).
- Frame depth: 54mm (2 1/8").
- Designed for: 9mm (3/8") to 12mm (1/2") laminated glass & 20mm (3/4") insulated-laminated glass.
- High-performance stainless steel hinges.
- Reinforcement at vent corners and frame.
- Operator and multipoint lock.
- Muntins option.
- Fin frame option available.
- Fully weather stripping.
- Anodized and painted finishes available.
- Aluminum frame and fiberglass mesh screens available.
- Edge drip available.



Operable System / Laminated Glass

Grid Details



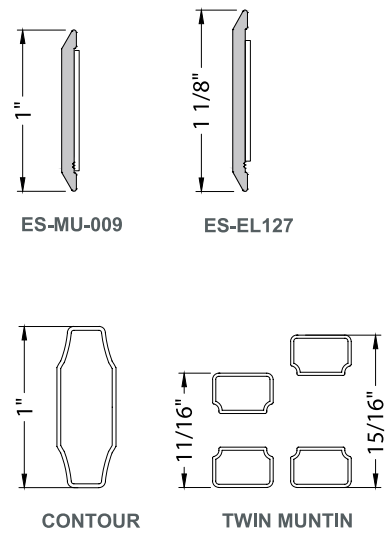
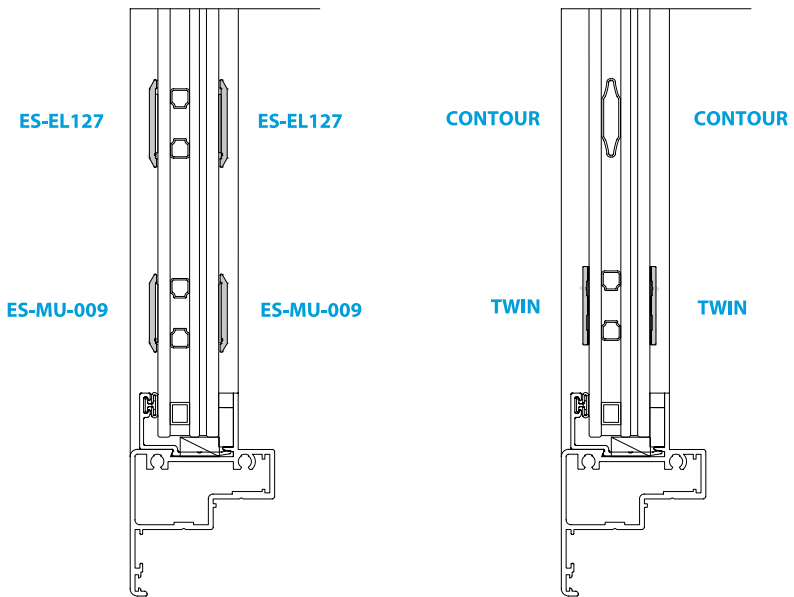
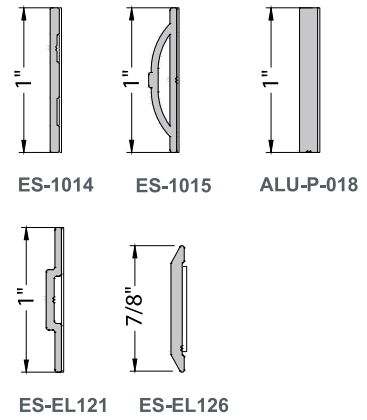
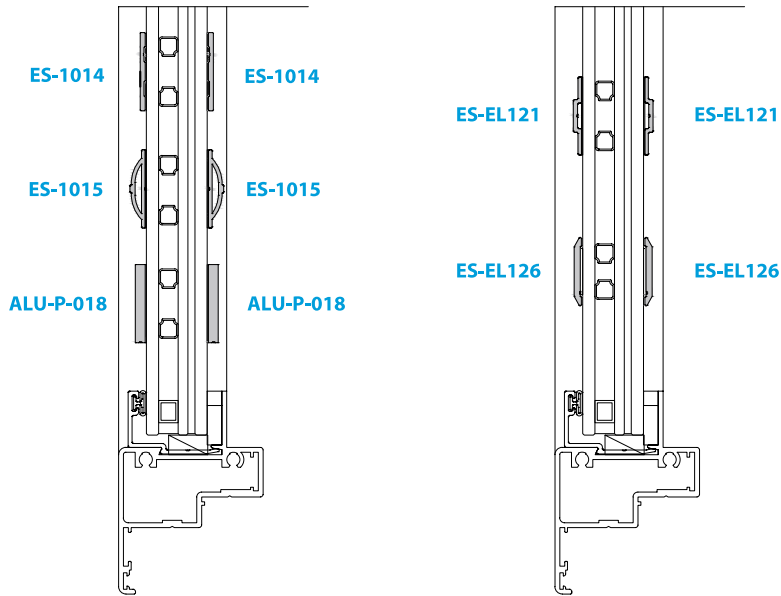
This data corresponds to the highest values obtained for some configurations. It can vary and may not apply to all.

ES-5000

Operable System

Operable System / Insulated-Laminated Glass

Grid Details



ES-P450

Operable System

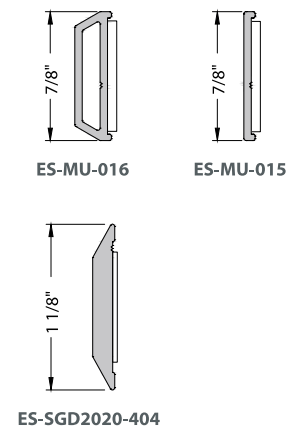
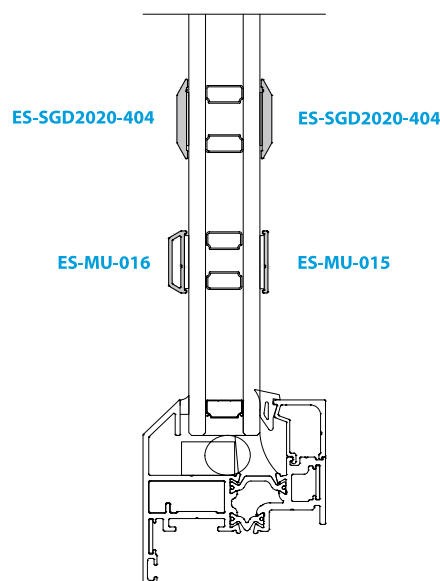
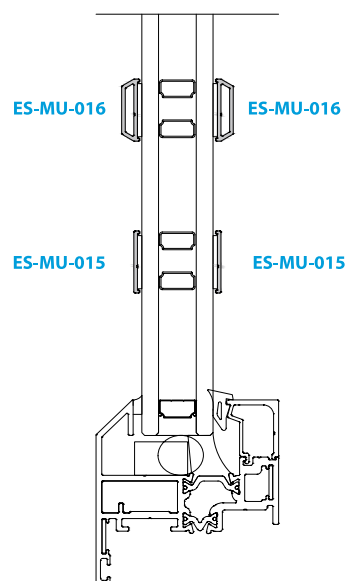
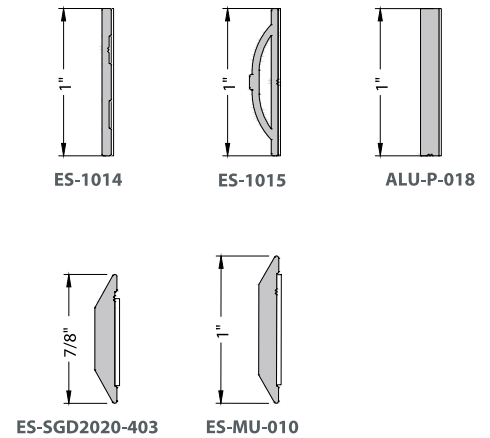
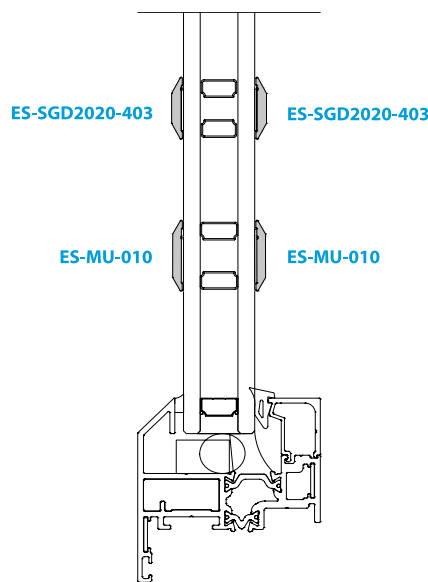
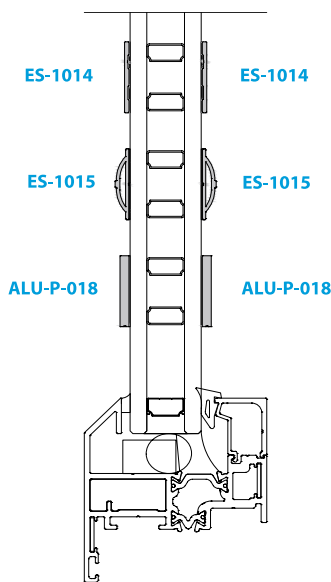
Description:

- Project out window.
- Frame depth: 4 1/2".
- Sight line: 3 1/4".
- Designed for 1 1/16" and 1 7/16" insulated glass.
- (Certifications might not consider every configuration).
- Multi point lock.
- Heavy duty stainless steel four bar hinge or butt hinges.
- Head receptor and sub sill available.
- Anodized, painted finishes available.



Operable System / Insulated Glass

Grid Details



This data corresponds to the highest values obtained for some configurations. It can vary and may not apply to all.

ES-P250

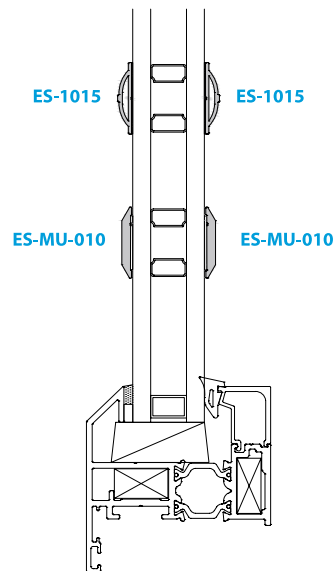
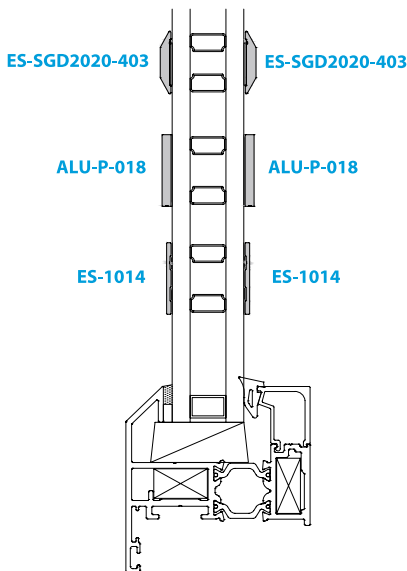
Operable System

Description:

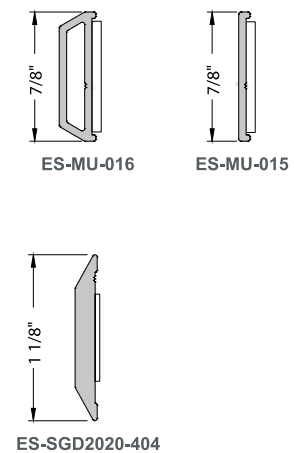
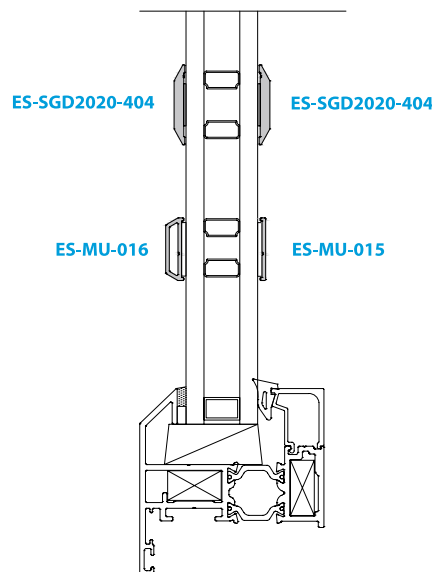
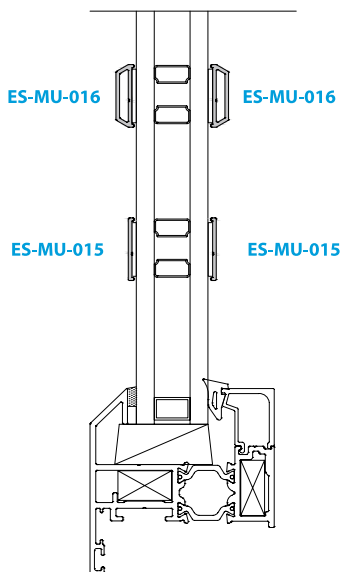
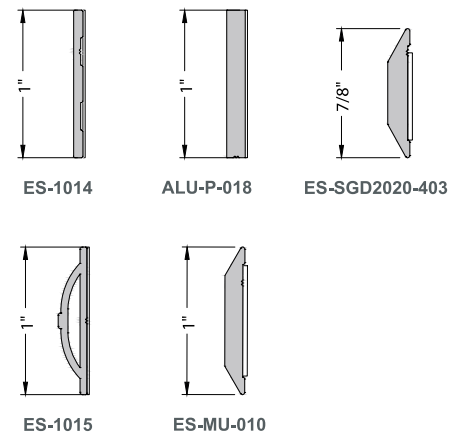
- Project out window.
- Casement, awning or fixed configurations.
- Frame depth: 2 1/2".
- Sight line: 3 1/4".
- Designed for 1" insulated glass.
- (Certifications might not consider every configuration).
- Multi point lock.
- Heavy duty stainless steel four bar hinge or butt hinges.
- Head receptor, sub sill and strap anchors available.
- Anodized, painted finishes available.



Operable System / Insulated Glass



Grid Details



This data corresponds to the highest values obtained for some configurations. It can vary and may not apply to all.

ES-P251

Operable System

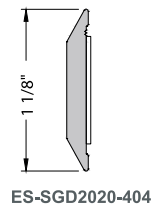
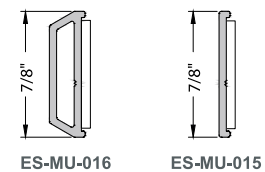
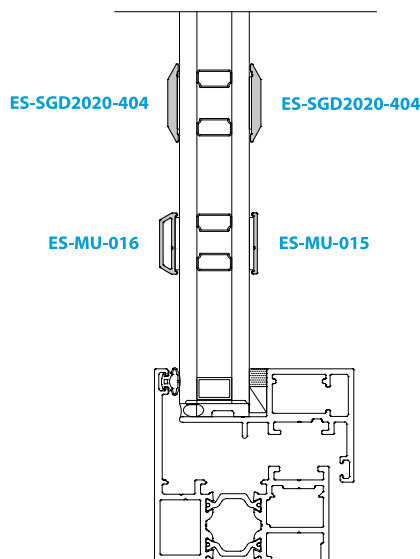
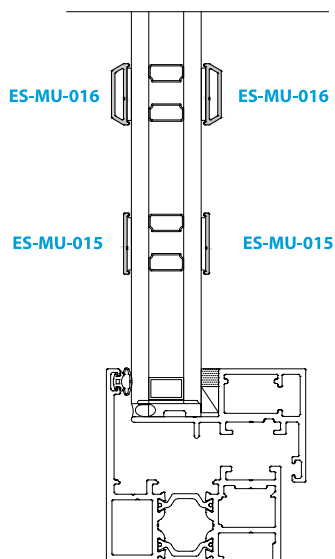
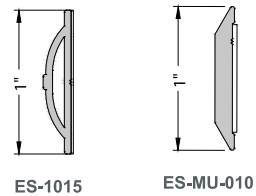
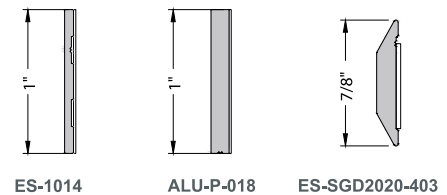
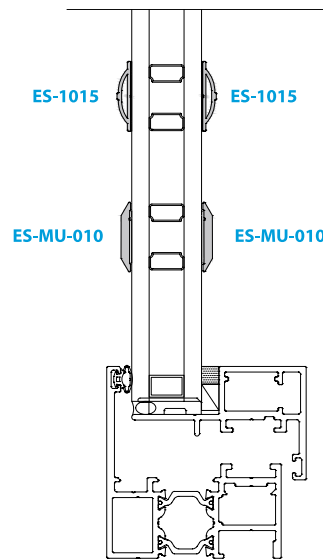
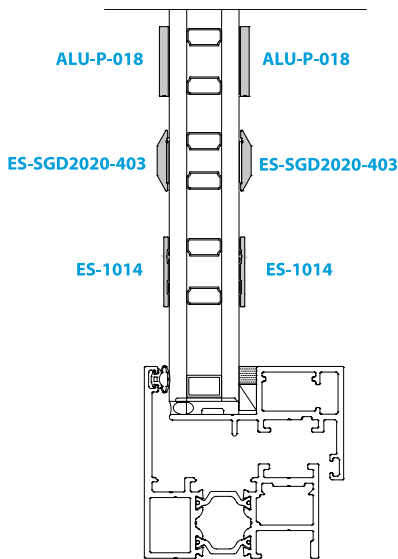
Description:

- Project in window.
- Casement in, hopper, tilt and turn or fixed configurations.
- Frame depth: 2 1/2".
- Sight line: 2 3/4".
- Designed for 1" insulated glass.
- (Certifications might not consider every configuration).
- Multi point lock.
- Heavy duty stainless steel four bar hinge or butt hinges.
- Head receptor, sub sill and strap anchors available.
- Anodized, painted finishes available.



Operable System / Insulated Glass

Grid Details



This data corresponds to the highest values obtained for some configurations. It can vary and may not apply to all.

HC-200

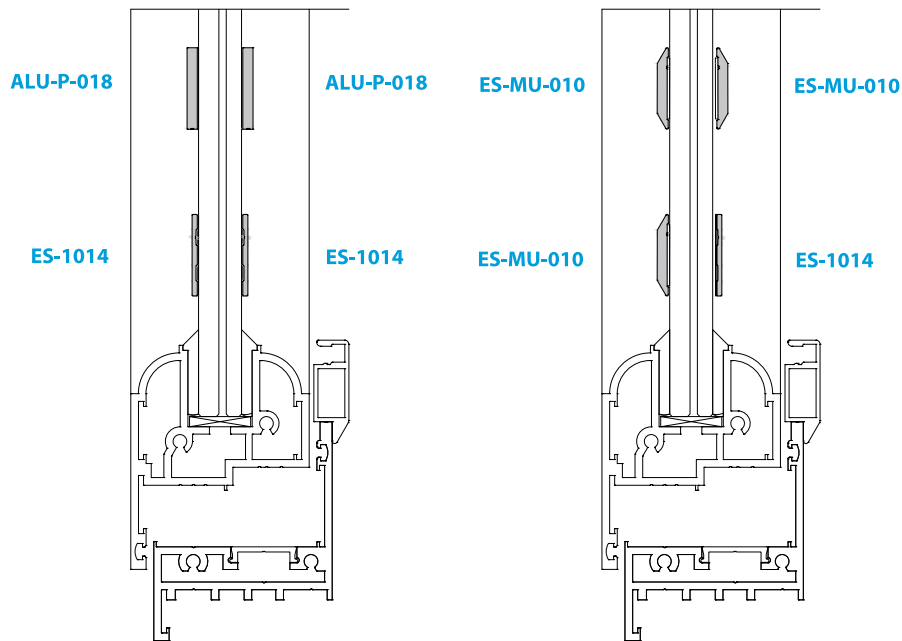
Operable System



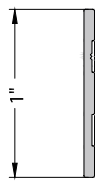
Description:

- Casement window.
- Frame depth: 2 3/16".
- Designed for laminated and insulating laminated glass options.
- Large and small missile impact.
- Standard operator multi-point lock bar.
- Heavy duty stainless steel four bar hinge.
- Washability four bar hinge.
- Anodized, painted finishes available.

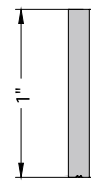
Operable System / Laminated Glass



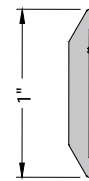
Grid Details



ES-1014



ALU-P-018



ES-MU-010

This data corresponds to the highest values obtained for some configurations. It can vary and may not apply to all.



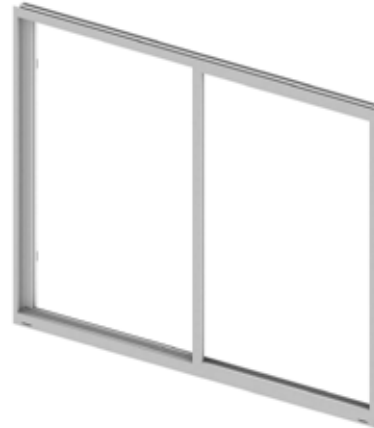
ES | Sliding System

ES-EL200

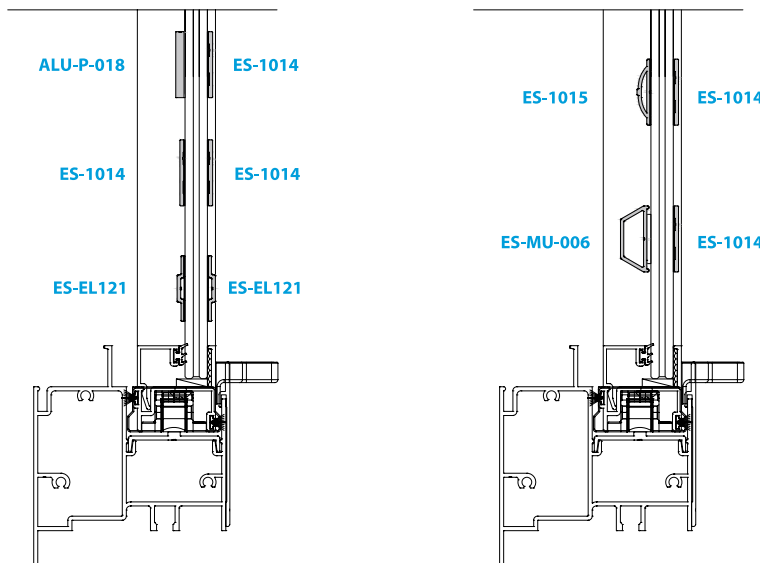
Sliding System

Description:

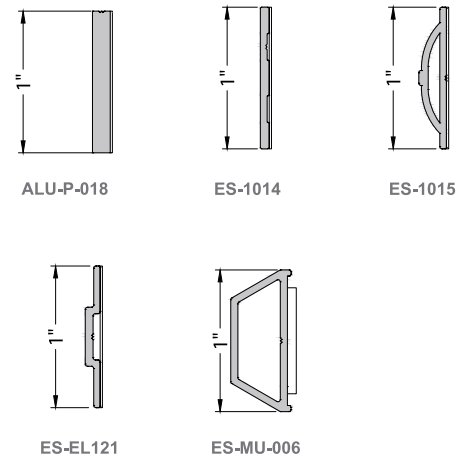
- Large missile impact and small missile impact.
- Frame depth: 2 15/16".
- Front: 2 7/8".
- Frame sight line: 3 1/16".
- Sill height: 3 5/16".
- Flange frames, flange frames with flush adapter and flange frames with fin adapter.
- Meeting stiles with or without reinforcing.
- With or without sill riser.
- Vent Latch SK08-4010 or sweep lock SL320.



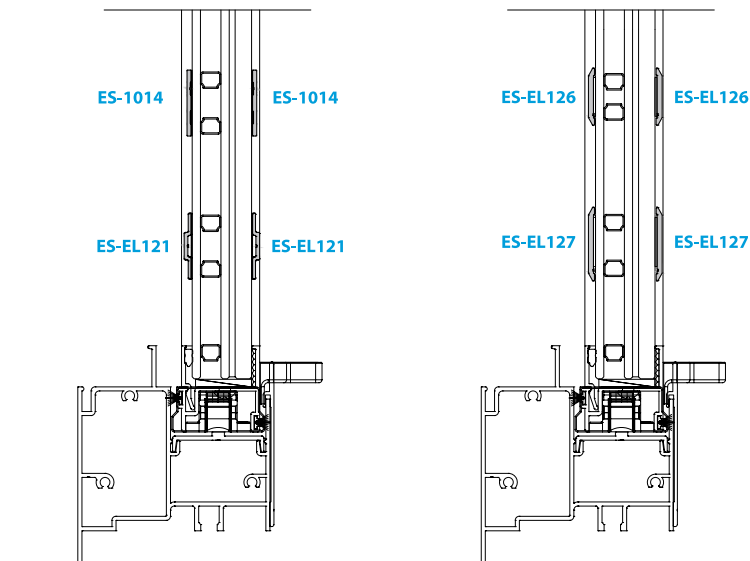
Sliding System / Laminated Glass



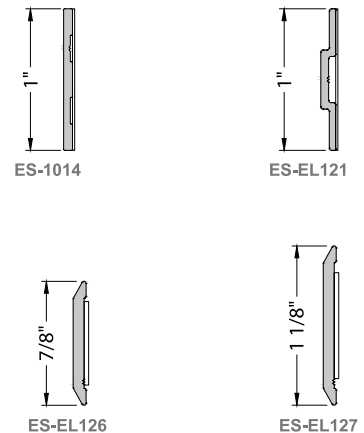
Grid Details



Sliding System / Insulated-Laminated Glass



Grid Details

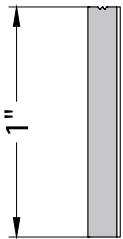
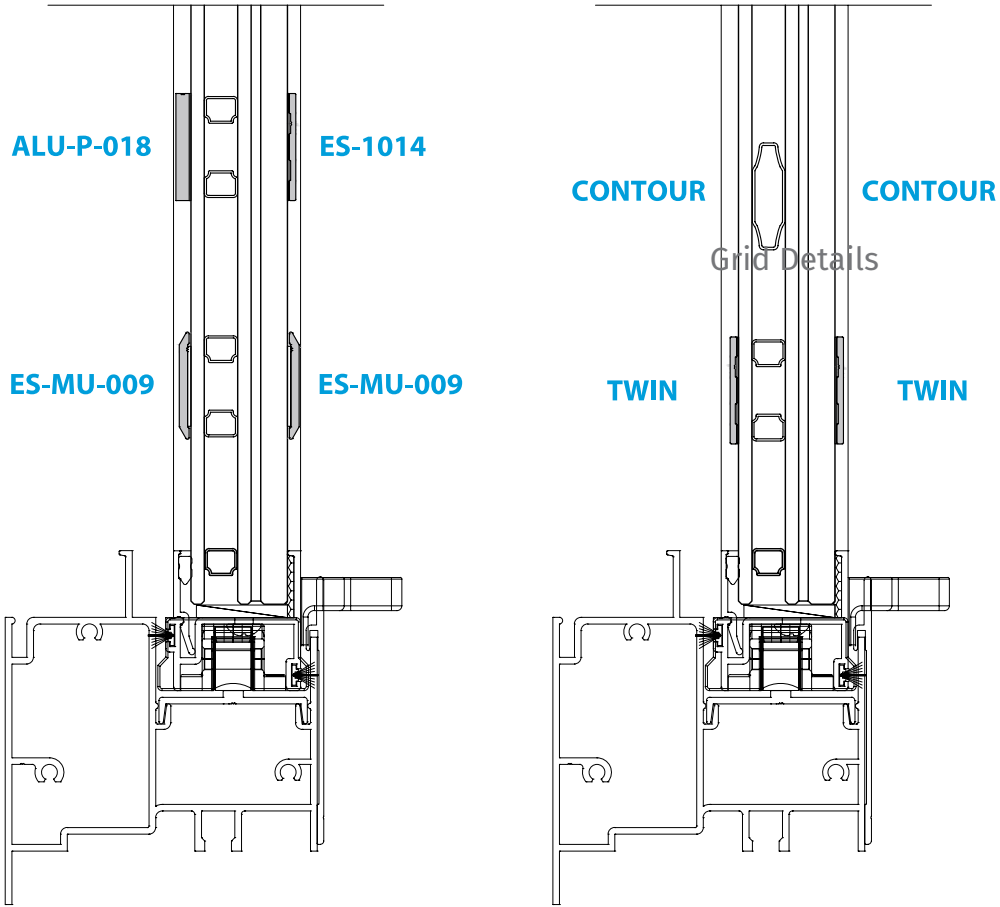


This data corresponds to the highest values obtained for some configurations. It can vary and may not apply to all.

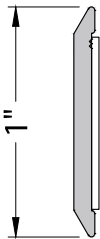
ES-EL200

Sliding System

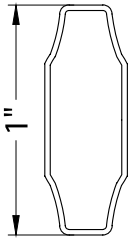
Sliding System / Insulated-Laminated Glass



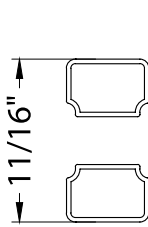
ALU-P-018



ES-MU-009



CONTOUR



11/16"

TWIN MUNTIN



15/16"

This data corresponds to the highest values obtained for some configurations. It can vary and may not apply to all.

ES-EL400

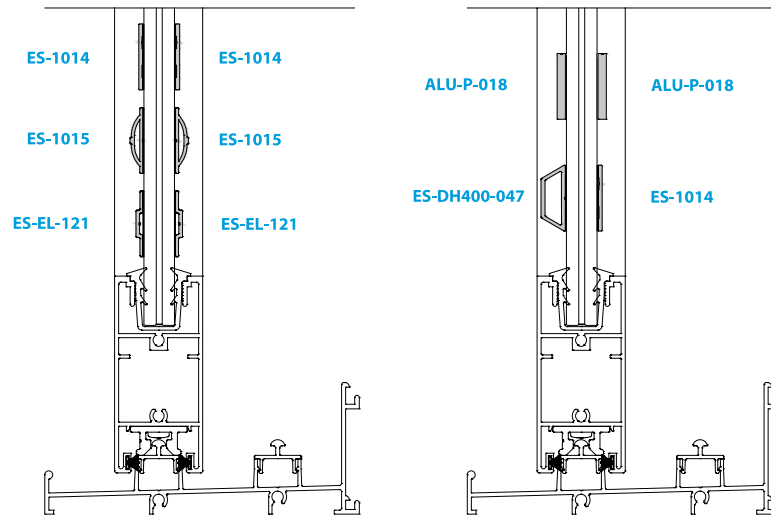
Sliding System

Description:

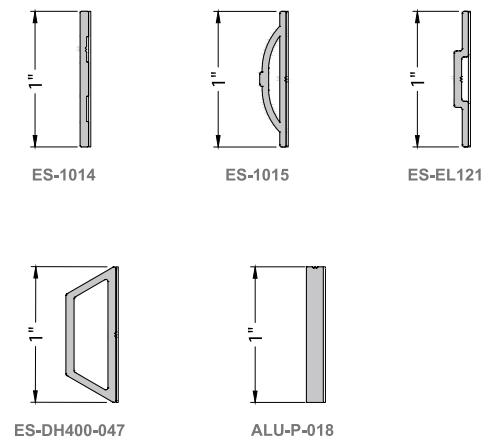
- Sliding door system.
- Large and small missile impact rated.
- Frame depth: 4 9/16", 5 11/16" (3 Tracks), 7 1/2" (4 Tracks).
- Frame sight line: 3 13/16".
- Sill height: 2" (without sill riser), 2 5/8"; 3 1/8"; 3 11/16" and 4 1/4" (with sill riser).
- Reinforced interlocks.
- Optional sill riser.
- Two point lock.
- Three and four tracks frame.
- Optional screen for two tracks frame.
- Anodized, painted finishes available.



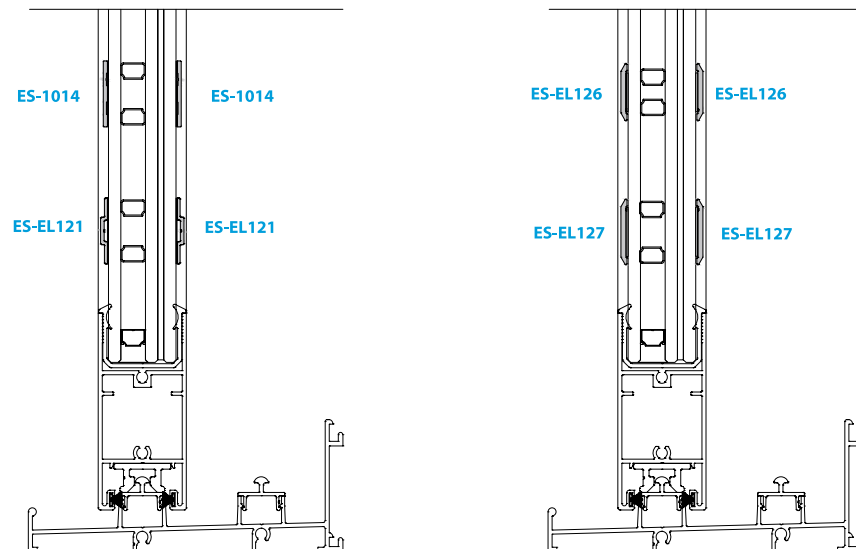
Sliding System / Laminated Glass



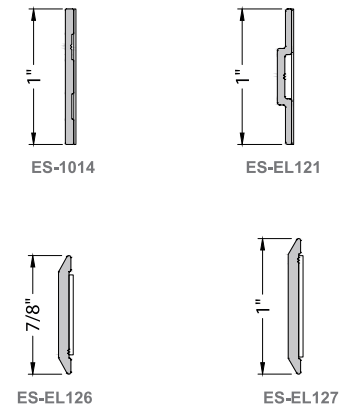
Grid Details



Sliding System / Insulated-Laminated Glass



Grid Details

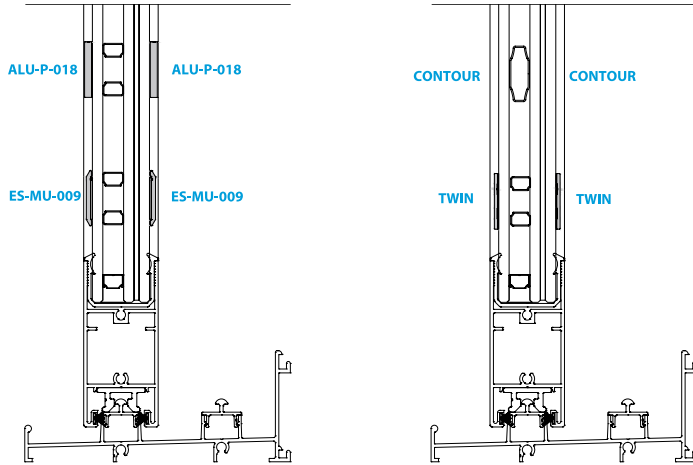


This data corresponds to the highest values obtained for some configurations. It can vary and may not apply to all.

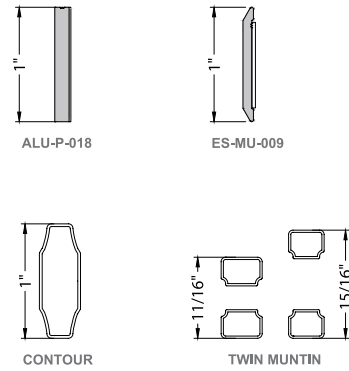
ES-EL400

Sliding System

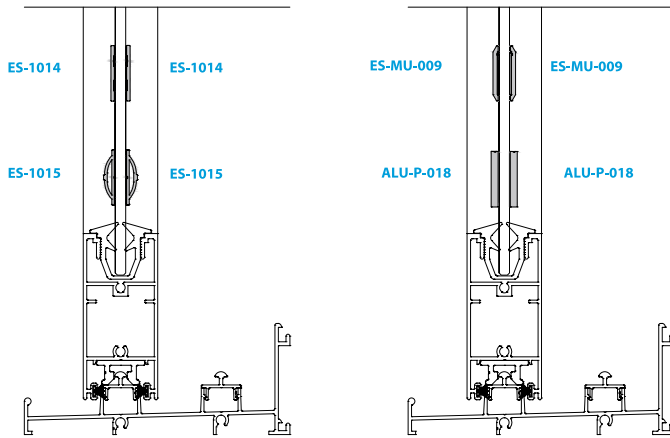
Sliding System / Insulated-Laminated Glass



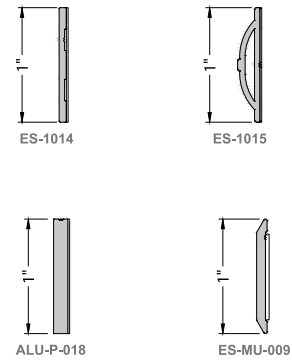
Grid Details



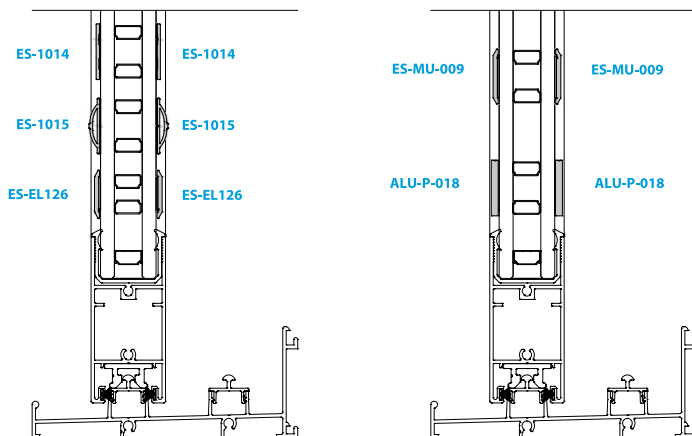
Sliding System / Monolithic Glass



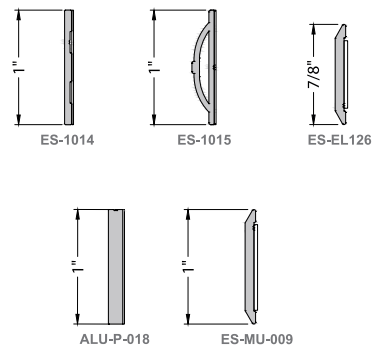
Grid Details



Sliding System / Insulated Glass



Grid Details



This data corresponds to the highest values obtained for some configurations. It can vary and may not apply to all.

ES-SGD2020

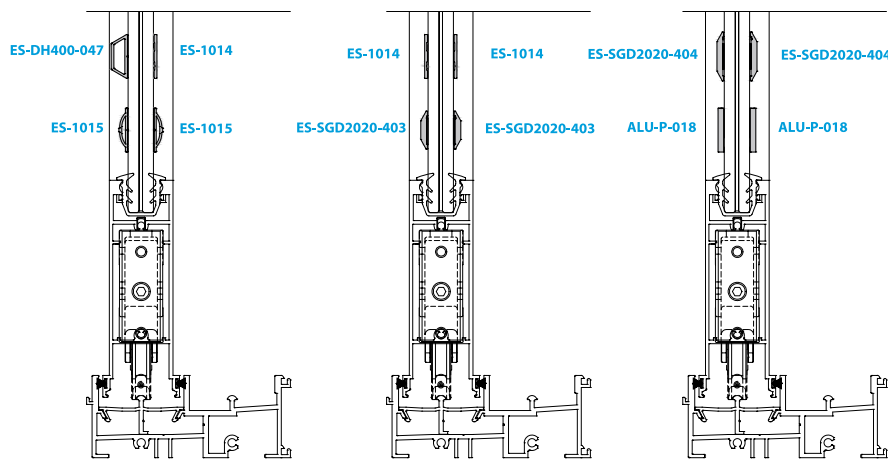
Sliding System

Description:

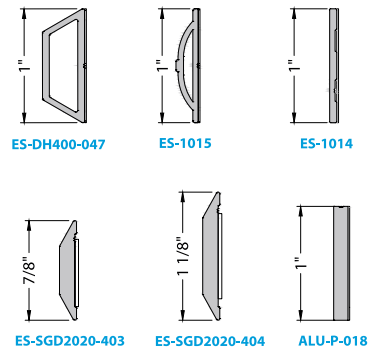
- Sliding glass door system.
 - Large and Small missile impact rated.
 - Frame depth: 2 track: 4 3/8". 3 track: 6 7/16", 4 track: 8 1/2", 5 track: 10 3/4".
 - Sight line: 2".
 - Sill height: 1 7/8" (without sill riser); 2 5/8" (sill riser 7 PSF); 3 1/8" (sill riser 9.5 PSF); 3 11/16" (sill riser 12 PSF); 4 1/4" (sill riser 13 PSF).
 - Designed for: 9/16" laminated and 1 1/16" insulated-laminated glass.
 - High quality adjustable roller.
 - Screens & corners options available .
 - Unanchored jamb option available.
 - ADA sill option available.
 - 2, 3,4 and 5 track configurations available.
- (Certifications might not consider every configuration).
- Anodized, painted and wood grain finishes available.



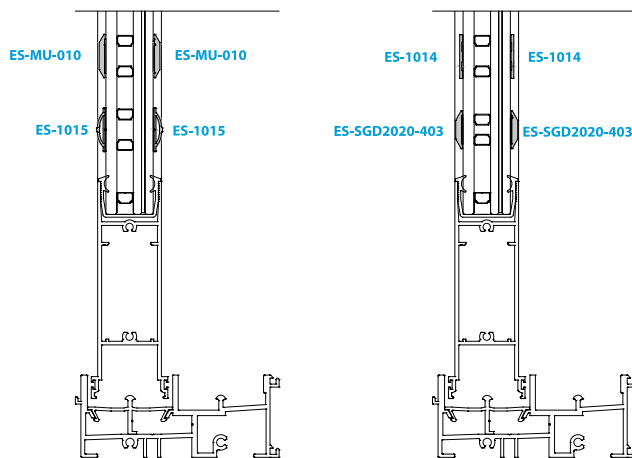
Sliding System / Laminated Glass



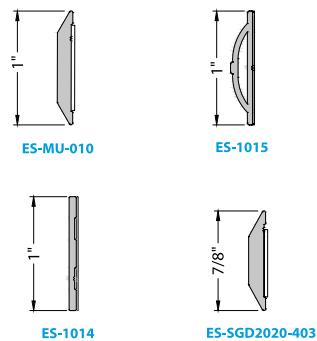
Grid Details



Sliding System / Insulated-Laminated Glass



Grid Details

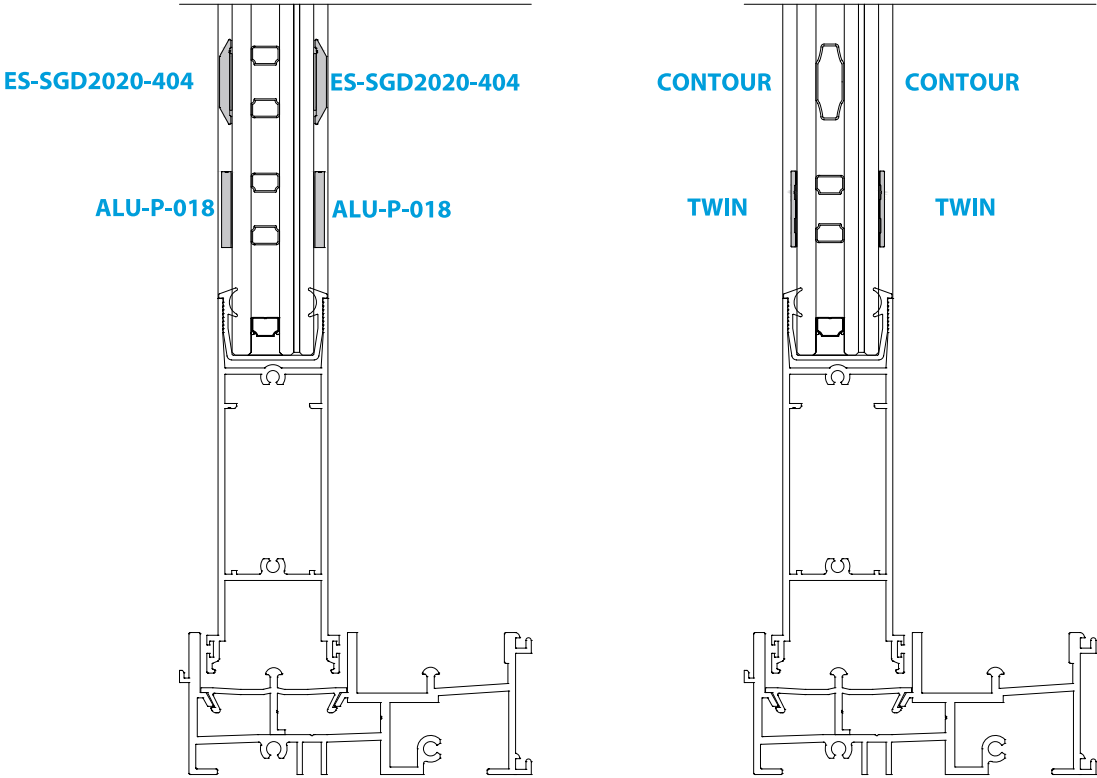


This data corresponds to the highest values obtained for some configurations. It can vary and may not apply to all.

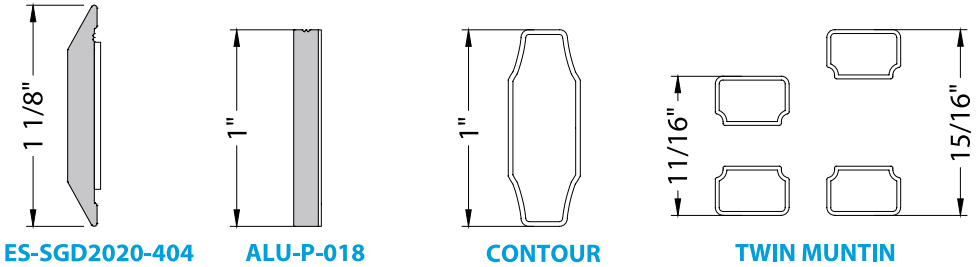
ES-SGD2020

Sliding System

Sliding System / Insulated-Laminated Glass



Grid Details



ES-SGD2020T

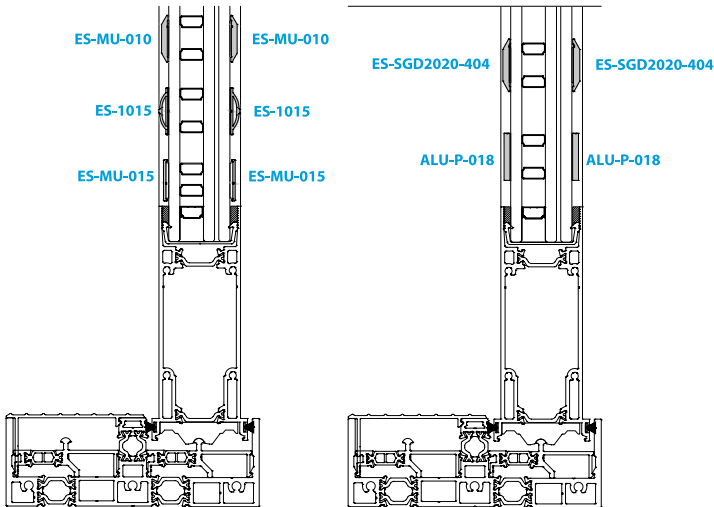
Sliding System

Description:

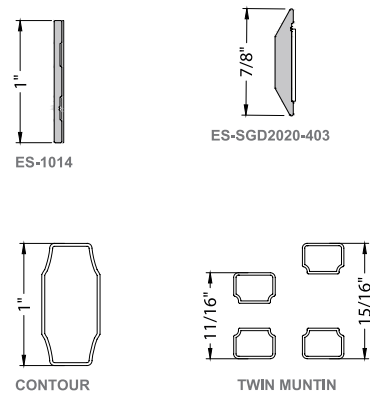
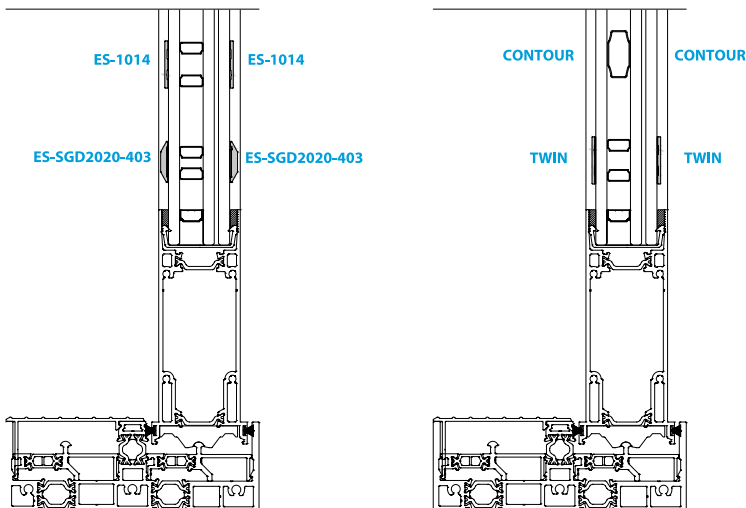
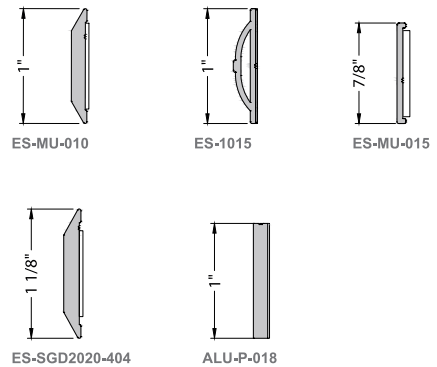
- Small and large missile impact rated.
- Frame depth 2 track: 5 3/8"; 3 track: 8 3/16"; 4 track: 11 1/16".
- Sight line: 2".
- Sill height: 1 7/8" (without sill riser); 2 5/8" (sill riser 6 PSF); 3 1/8" (sill riser 8 PSF); 3 11/16" (sill riser 10 PSF); 4 1/4" (sill riser 13 PSF).
- Designed for 1" insulated, 1-1/8" insulated and 1 - 5/16" insulated laminated glass.
- High quality adjustable rollers.
- 90° and 135° corner options available.
- ADA sill and ADA flush sill option available.
- 2,3 and 4 track optios available.
- (certifications might not apply to every configuration).
- Fully thermally broken.
- Anodized, painted and wood grain finishes available.



Sliding System / Insulated-Laminated Glass



Grid Details

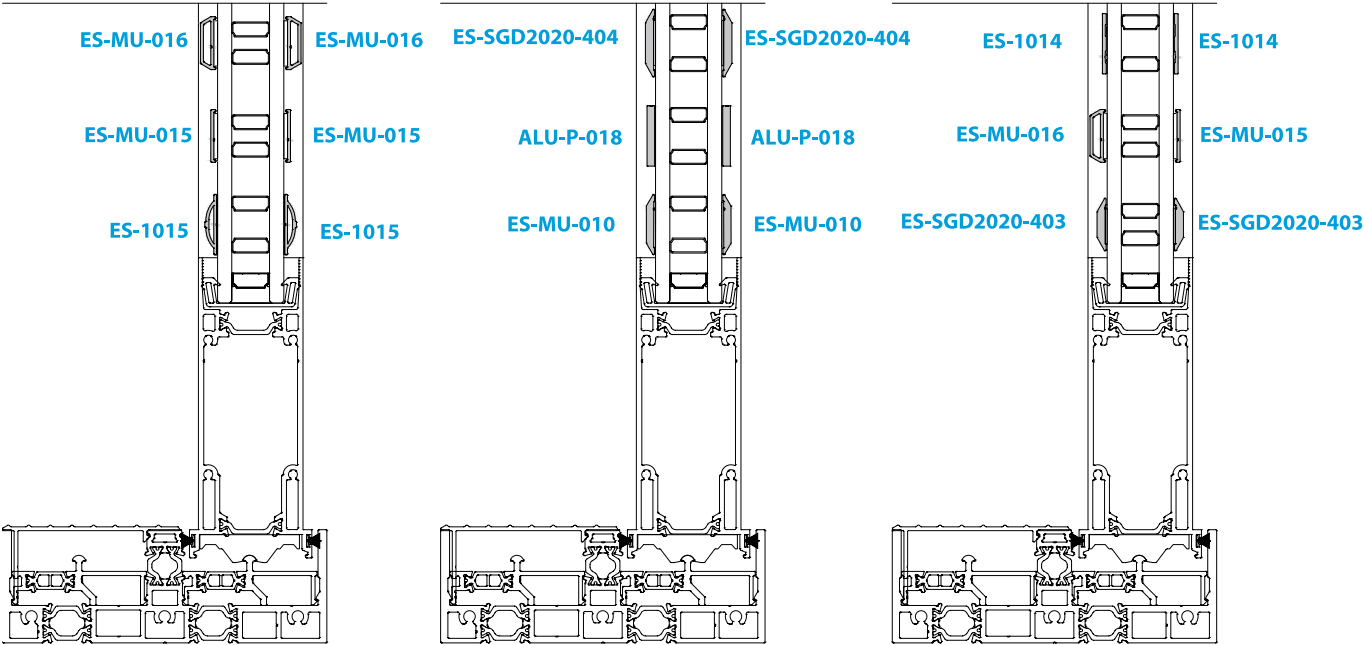


This data corresponds to the highest values obtained for some configurations. It can vary and may not apply to all.

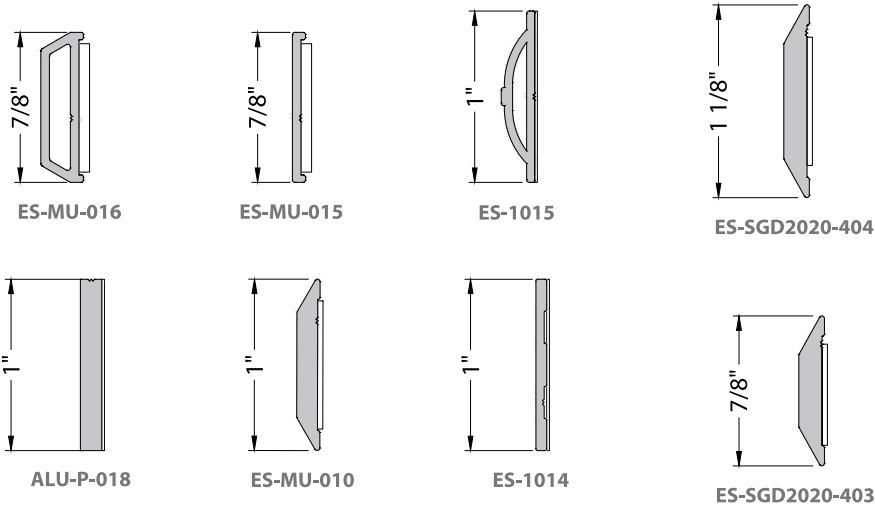
ES-SGD2020T

Sliding System

Sliding System / Insulated Glass



Grid Details



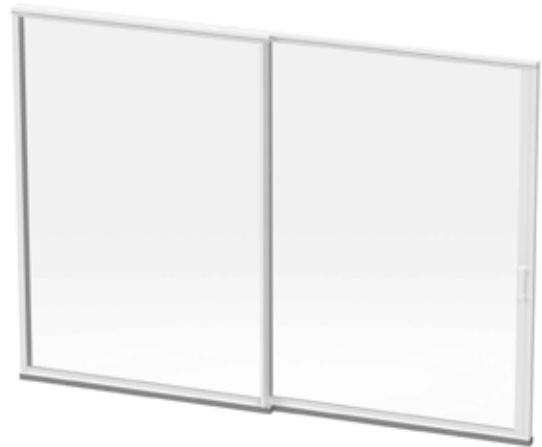
This data corresponds to the highest values obtained for some configurations. It can vary and may not apply to all.

ES-SGD1010T

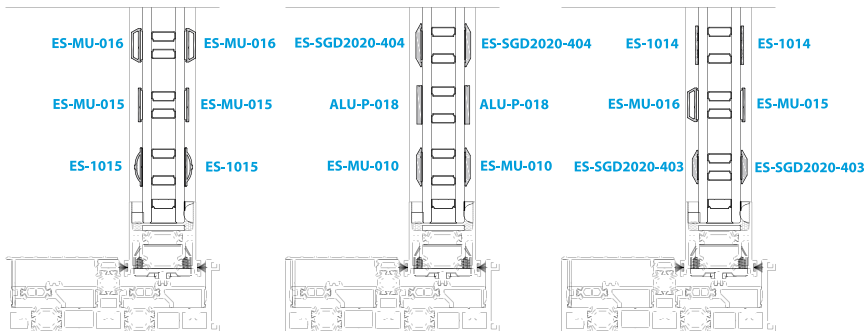
Sliding System

Description:

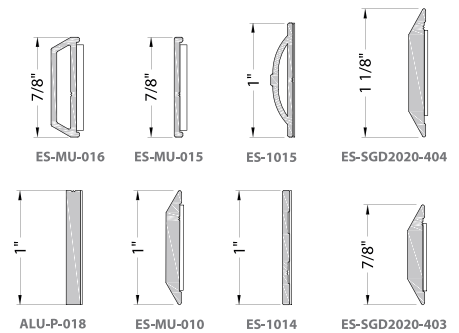
- Minimalist sliding glass door.
- Available in AW rated and large missile impact rated.
- Frame depth:
- Standard and subsill: 5 3/8" (2 track), 8 3/16" (3 track), 11 1/16" (4 track).
- Cast in sill with box: 8 3/8" (2 track), 11 1/4" (3 track), 14" (4 track).
- Designed for 9/16" laminated glass, 1 5/16" insulated laminated glass and 1 1/8" insulated glass.
- Sill height: 1 7/8".
- Interlocks sight line: 1 1/8".
- Narrow door with minimalist sightlines.
- Multiple panel configurations.
- Removable sill riser.
- Standard contemporary handle & turn lever.
- Multiple options of frame sill (standard, cast in sill and subsill).
- Pocket configuration.
- 4 types of reinforced interlocks.



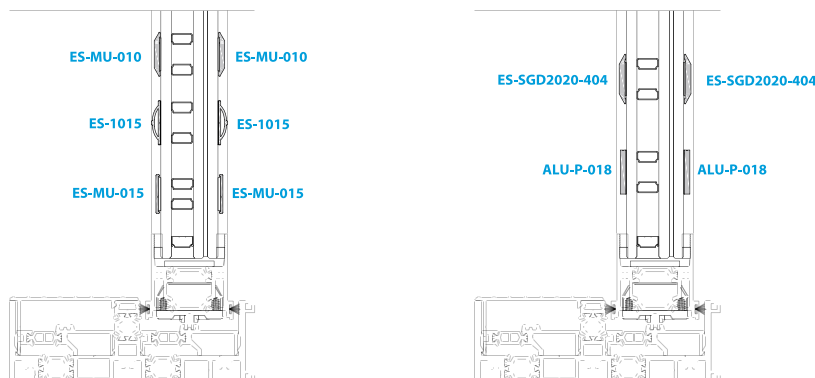
Sliding System / Insulated Glass



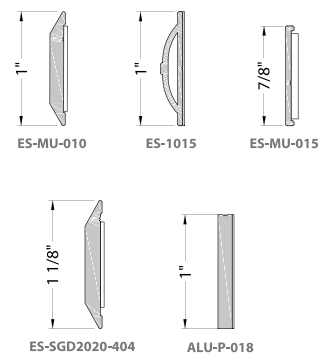
Grid Details



Sliding System / Insulated-Laminated Glass



Grid Details

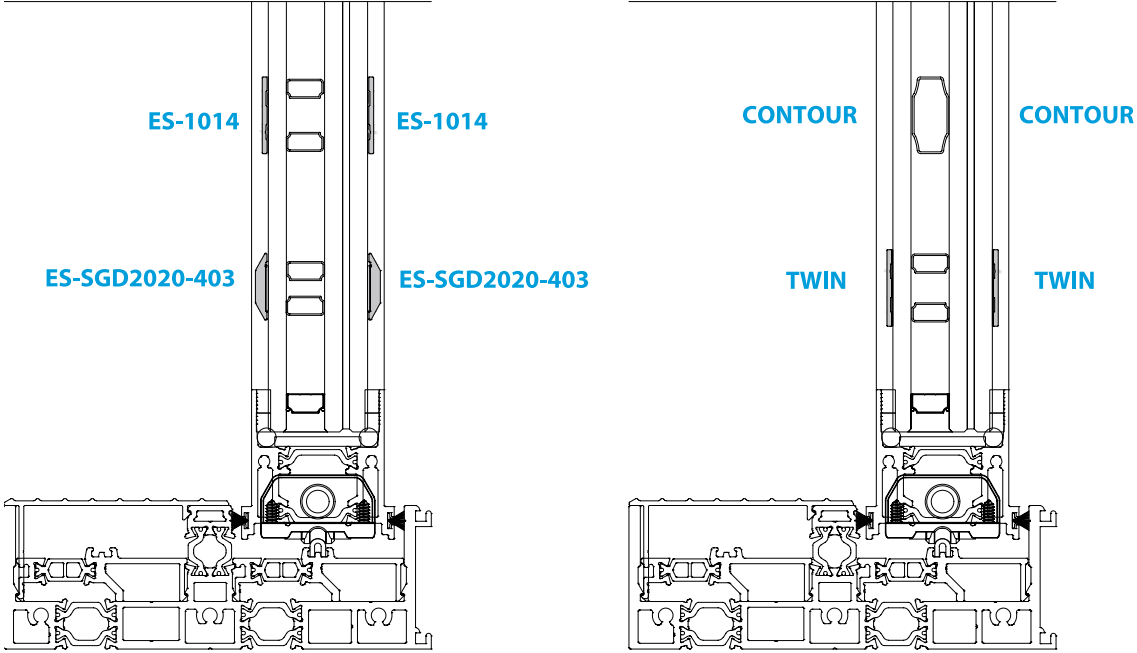


This data corresponds to the highest values obtained for some configurations. It can vary and may not apply to all.

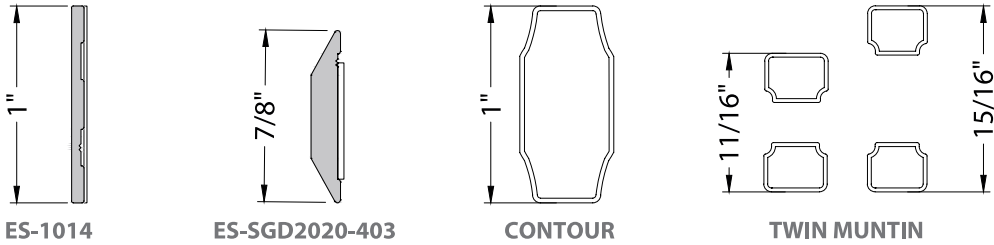
ES-SGD1010T

Sliding System

Sliding System / Insulated-Laminated Glass



Grid Details



This data corresponds to the highest values obtained for some configurations. It can vary and may not apply to all.

ES-SW340

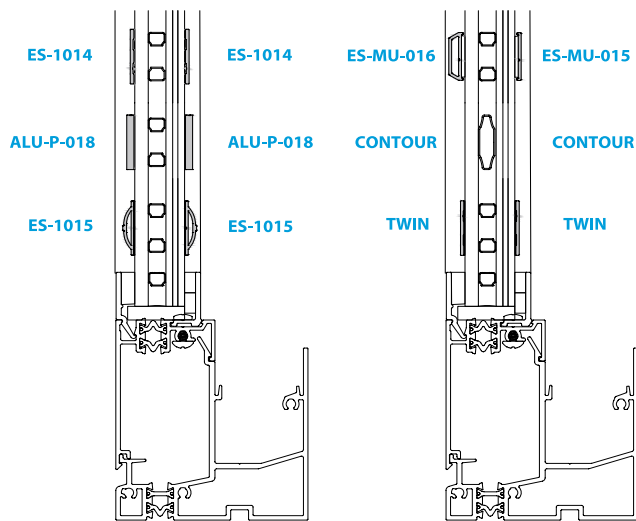
Sliding System

Description:

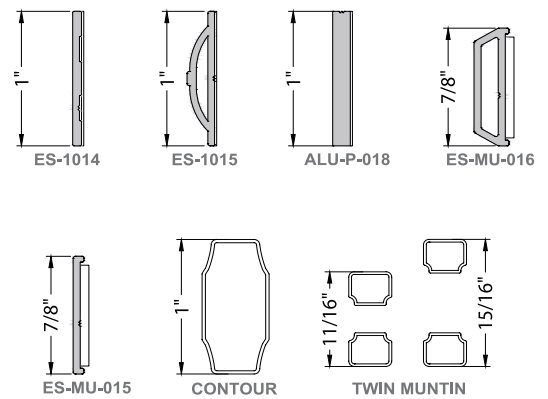
- Thermally broken sliding window.
- Small and large missile impact rated.
- Frame depth: 3 1/2".
- Designed for multiple insulated-laminated glass options.
- Configurations XO, OX or XOX.
(Certifications might not consider every configuration).
- Design loads: +80/-90 PSF.
- Water infiltration: 12 PSF (L.M.I.).



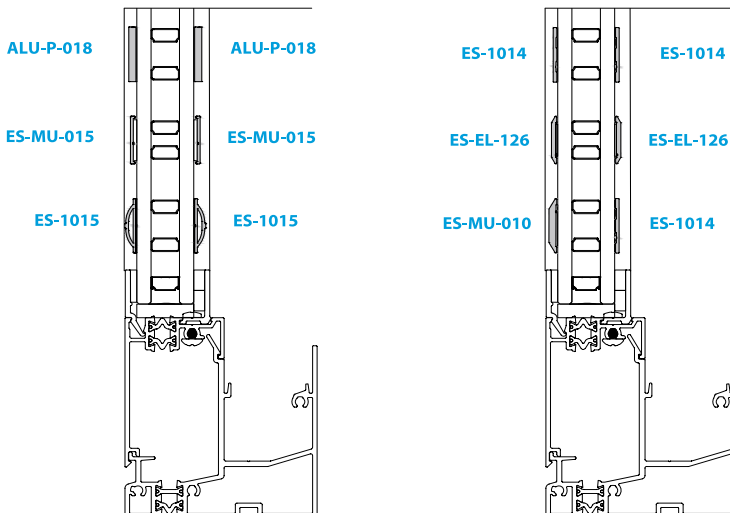
Sliding System / Insulated-Laminated Glass



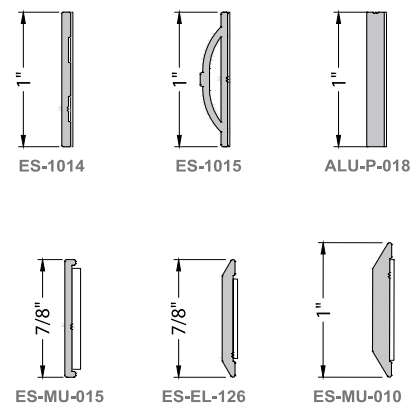
Grid Details



Sliding System / Insulated Glass



Grid Details



This data corresponds to the highest values obtained for some configurations. It can vary and may not apply to all.

ES-MX2000

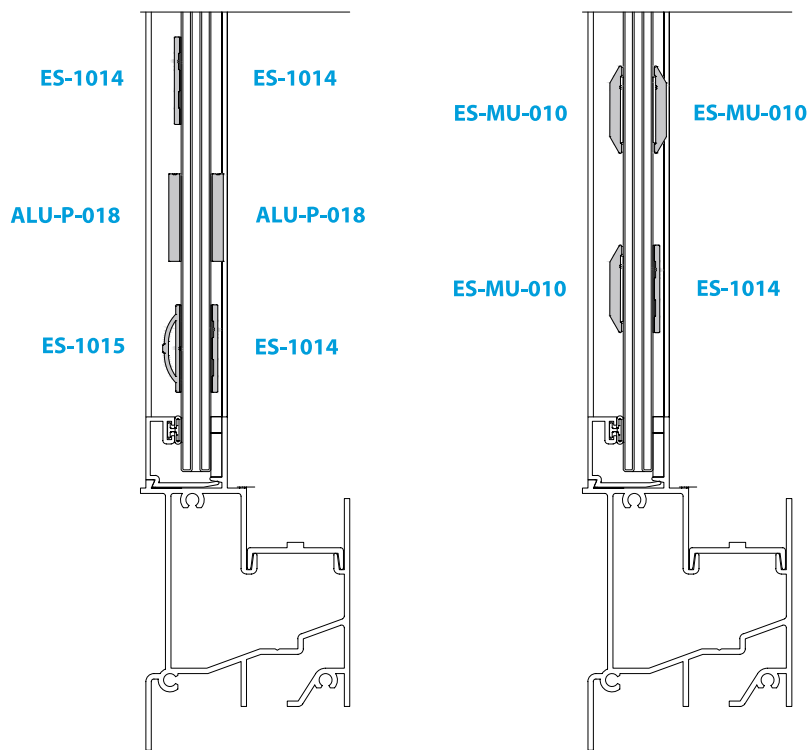
Sliding System



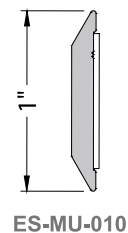
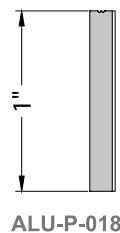
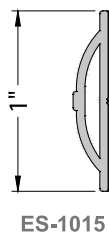
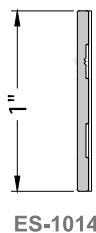
Description:

- Sliding window system.
- Small and large missile impact.
- 2 5/16" Frame depth.
- Designed for multiple laminated glass options.
- Configurations: XO, OX or XOX (Certifications might not consider every configuration).
- Flange-type masonry, wood construction or flush frames for concrete openings.
- Surface applied muntins.
- Anodized, painted finishes available.
- Screens available in aluminum frame and fiberglass mesh.
- Side spring latch or sweep lock closing options.

Sliding System / Laminated Glass



Grid Details



This data corresponds to the highest values obtained for some configurations. It can vary and may not apply to all.

HR-2600

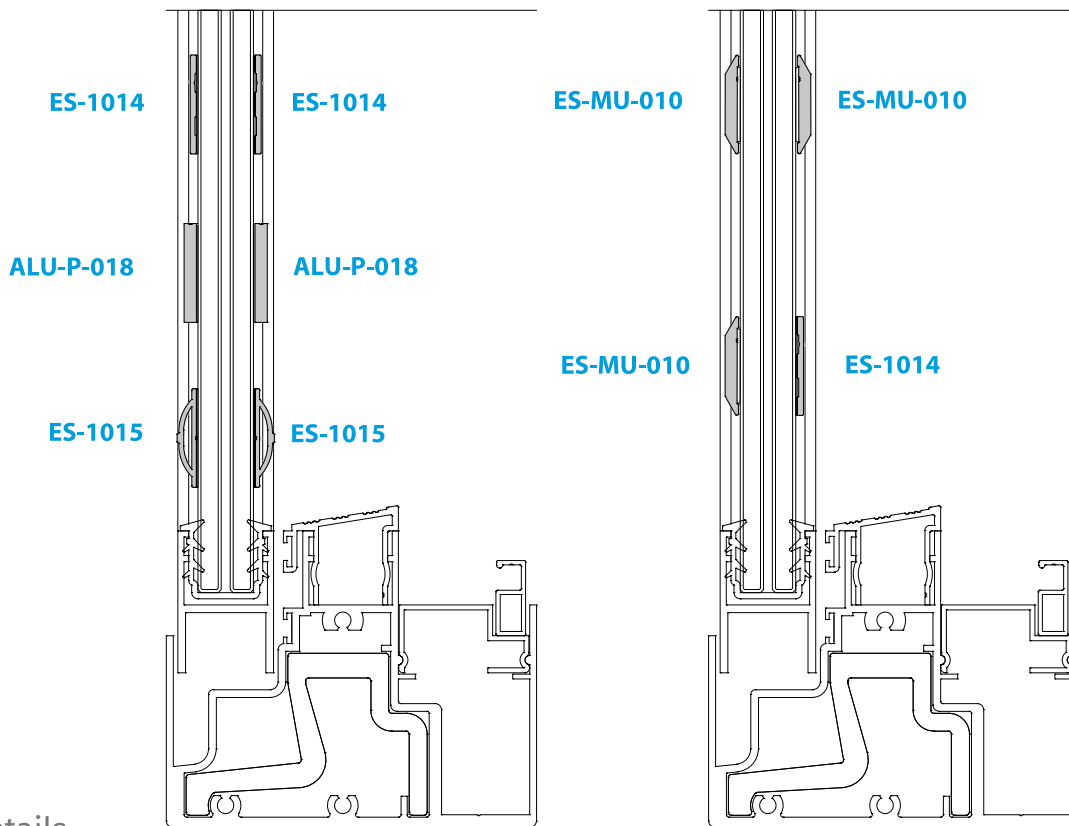
Sliding System

Description:

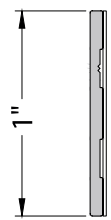
- Large Missile Impact and Small Missile Impact.
 - Frame depth: 3 7/8".
 - Sill height: 3"
 - Configurations: XO, XOx, OXXO.
- (Certifications might not consider every configuration).
- Aluminum finger lock. Screens available in aluminum frame and fiberglass mesh.
 - Anodized, painted and wood grain finishes available.



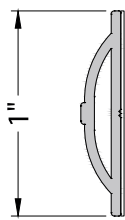
Sliding System / Laminated Glass



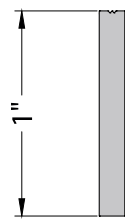
Grid Details



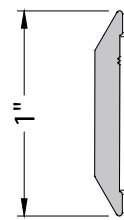
ES-1014



ES-1015



ALU-P-018



ES-MU-010

This data corresponds to the highest values obtained for some configurations. It can vary and may not apply to all.

2400ST

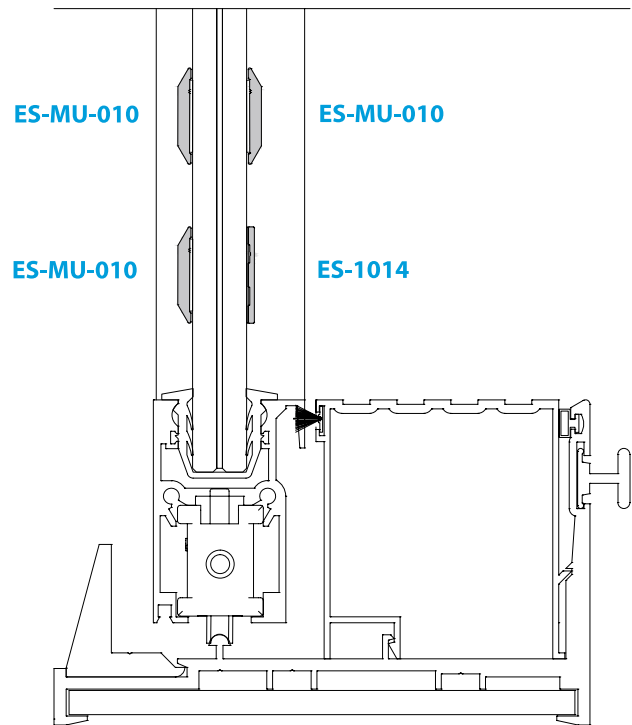
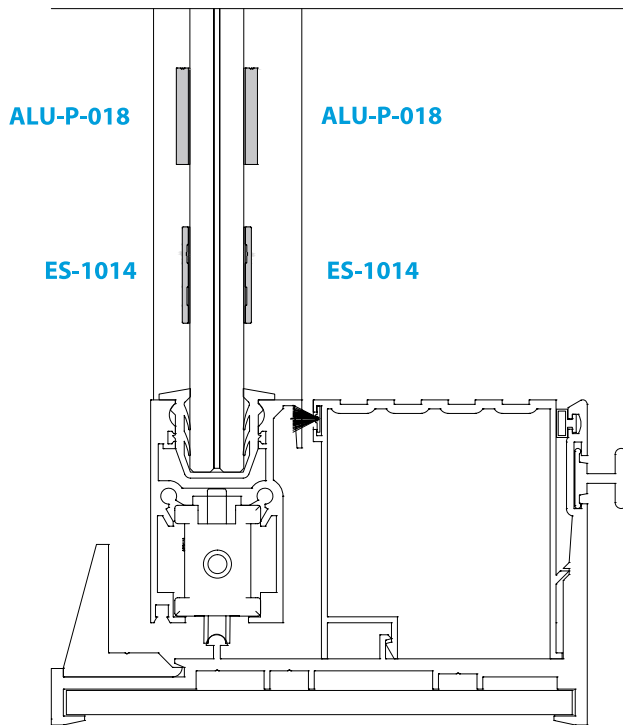
Sliding System

Description:

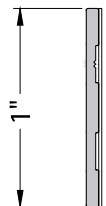
- Small and large missile impact rated.
- Panel width: 50".
- Panel height: 132".
- Designed for 9/16" laminated glass.
- Heavy duty, adjustable tandem polyamide ball bearing rollers.
- Exterior key locking option.
- Two point lock with ergonomic handle.
- Screen options available.



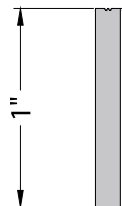
Sliding System / Laminated Glass



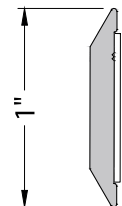
Grid Details



ES-1014



ALU-P-018



ES-MU-010

This data corresponds to the highest values obtained for some configurations. It can vary and may not apply to all.

DM-12

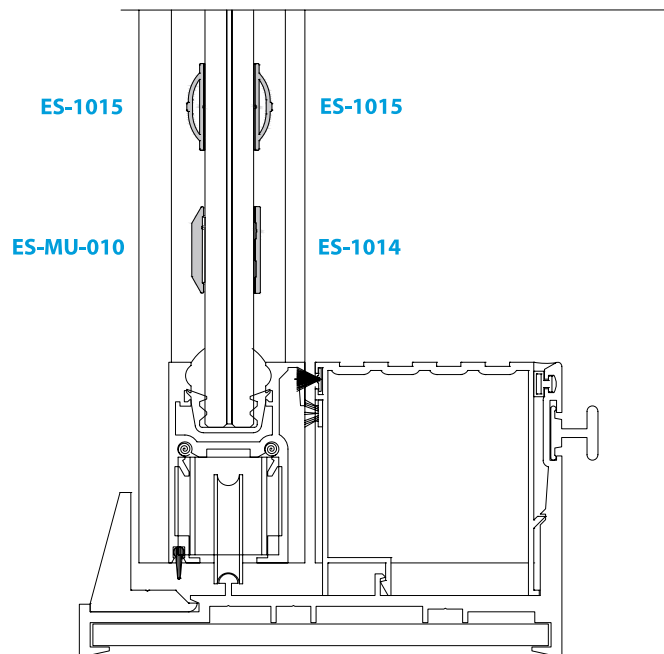
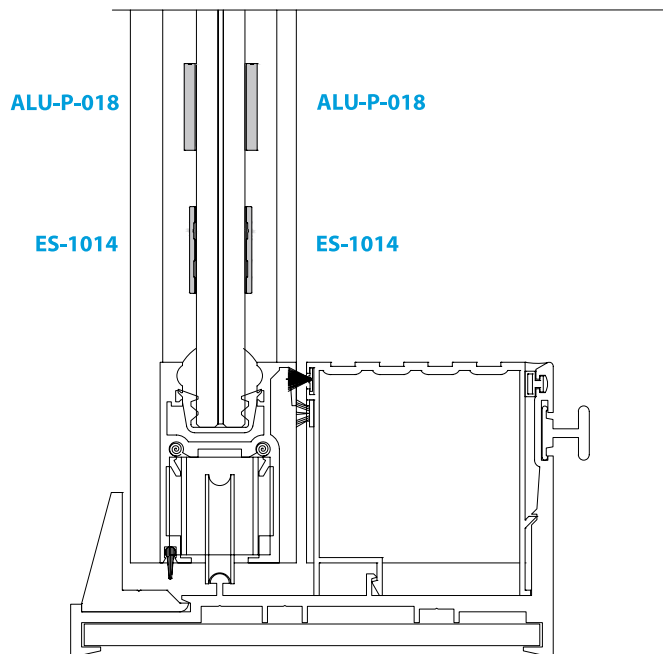
Sliding System

Description:

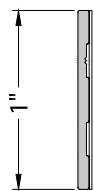
- Small and large missile impact.
- Frame depth: 5 9/16".
- Sill height: 3 3/8".
- Designed for 9/16" laminated glass.
- Heavy duty, adjustable tandem polyamide ball bearing rollers.
- Exterior key locking option.
- Two point lock with ergonomic handle.



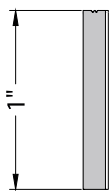
Sliding System / Laminated Glass



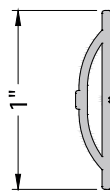
Grid Details



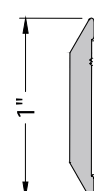
ES-1014



ALU-P-018



ES-1015



ES-MU-010

This data corresponds to the highest values obtained for some configurations. It can vary and may not apply to all.

ES-6000/6100

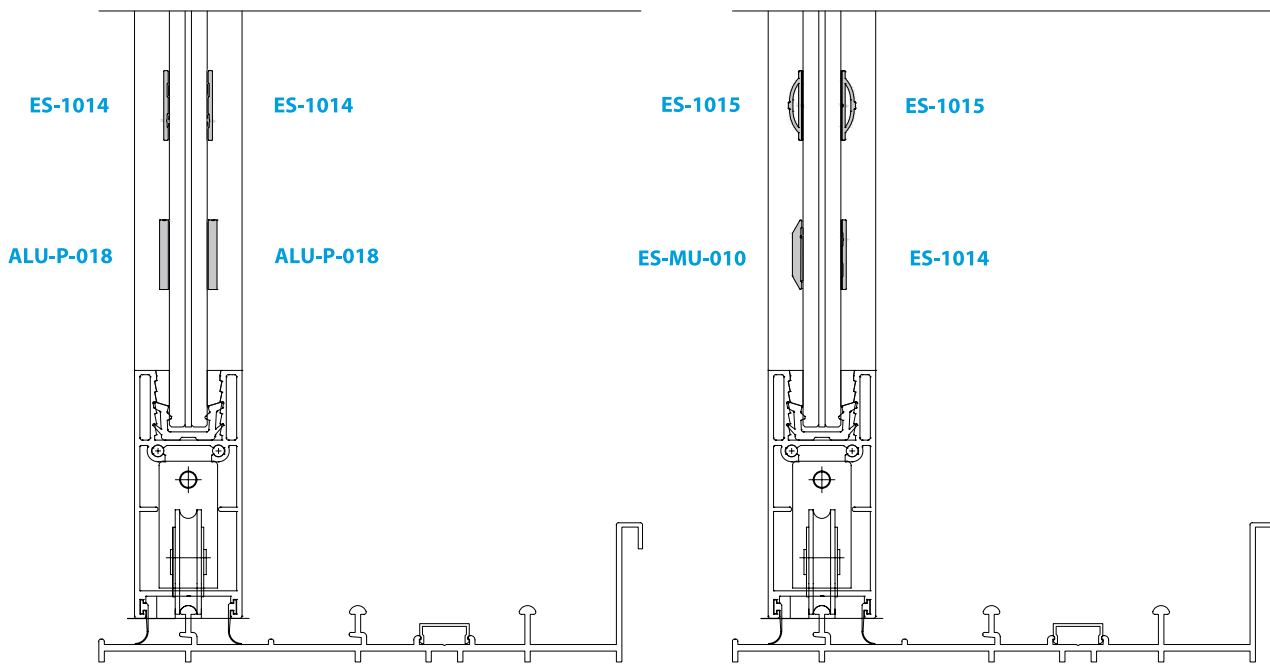
Sliding System

Description:

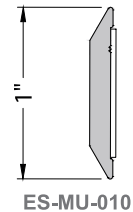
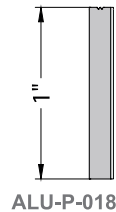
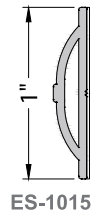
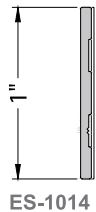
- Sliding door system.
- Frame depth: 5 1/4".
- Sill height: 3 5/16".
- Designed for 9/16" laminated glass and 1 3/16" insulating laminated glass.
- Large and small missile impact.
- Configurations OX, XO, OXO, XOx, OXXO.
(Certifications might not consider every configuration).
- Head receptor and free standing heavy duty jamb optional.
- Two point lock with ergonomic handle.
- Exterior key locking option.
- Screen available in aluminum frame and fiberglass mesh.



Sliding System / Laminated Glass



Grid Details



This data corresponds to the highest values obtained for some configurations. It can vary and may not apply to all.

ES-MX4000

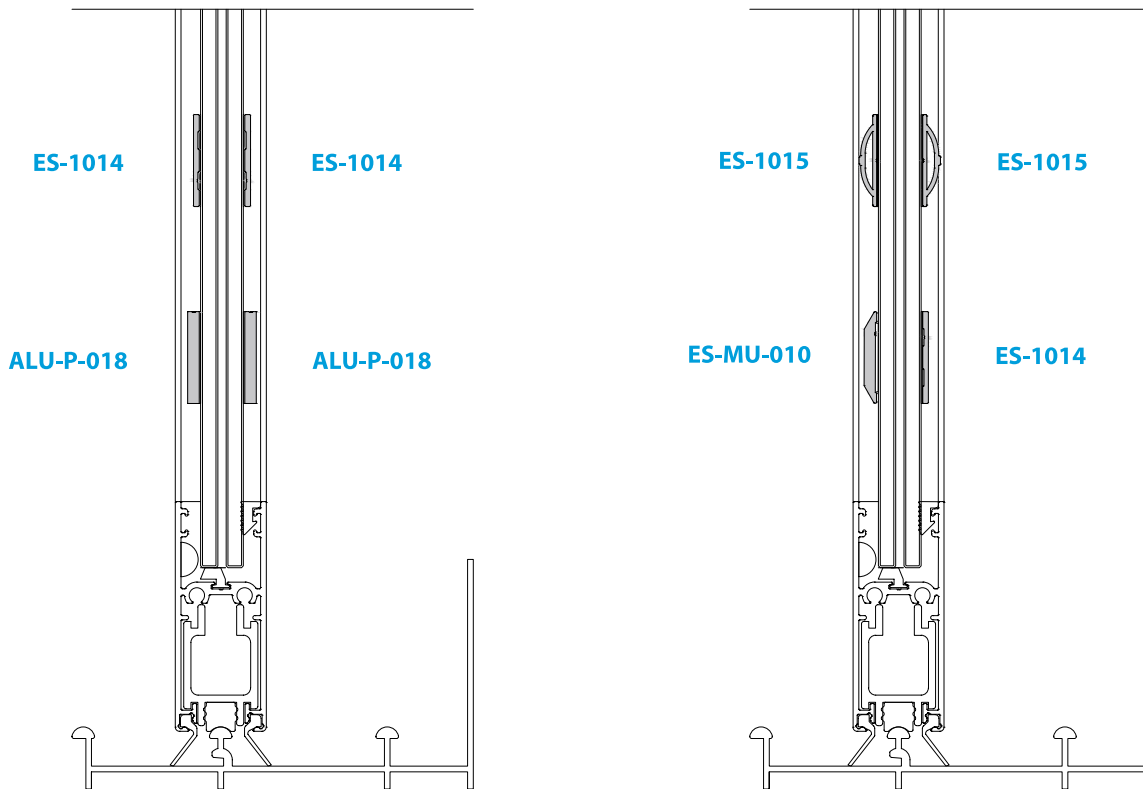
Sliding System

Description:

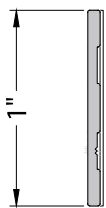
- ES-MX4000 is an impact-rated sliding glass door.
- Small and large missile impact.
- 2 5/8" Sill height.
- 4 9/16" Frame depth.
- Configurations: OX, XO, OXO, OXXO.
- Designed for 5/16" laminated glass.
- 2 track, and up to 4 panel configuration with screens.
- Screen option available.
- PVB laminated glass.
- White and bronze powder aluminum finishes.
- Reinforcement available.



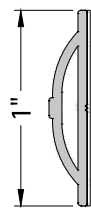
Sliding System / Laminated Glass



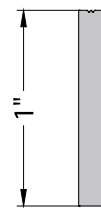
Grid Details



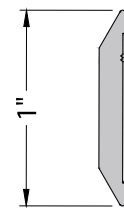
ES-1014



ES-1015



ALU-P-018



ES-MU-010

This data corresponds to the highest values obtained for some configurations. It can vary and may not apply to all.

ES-SD451

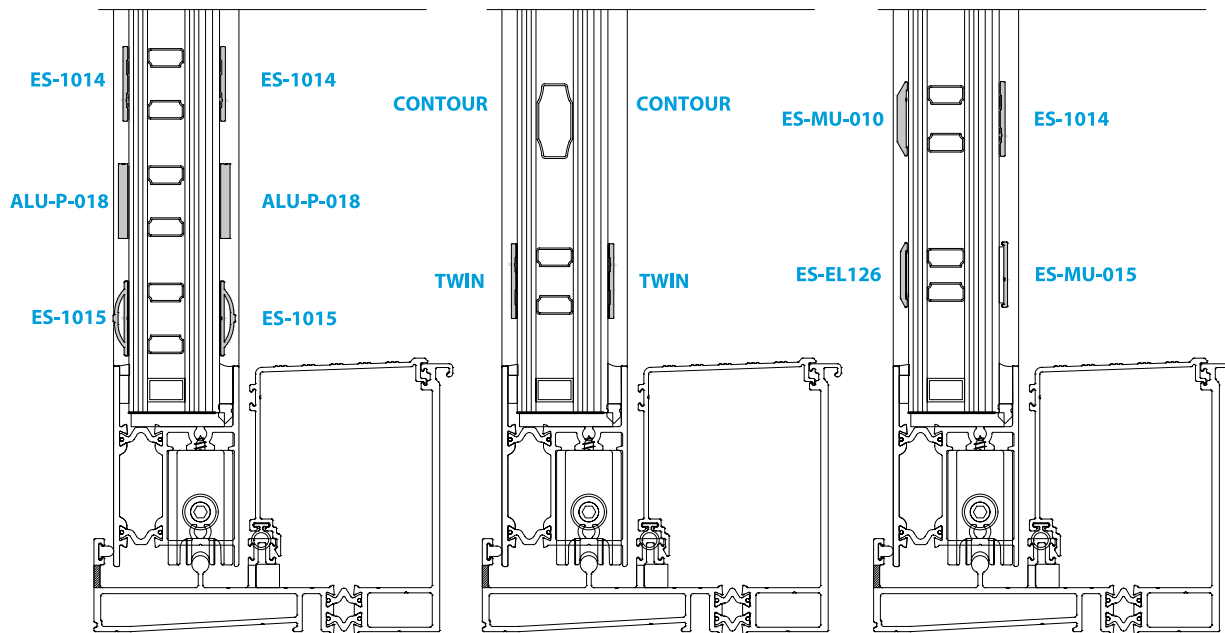
Sliding System

Description:

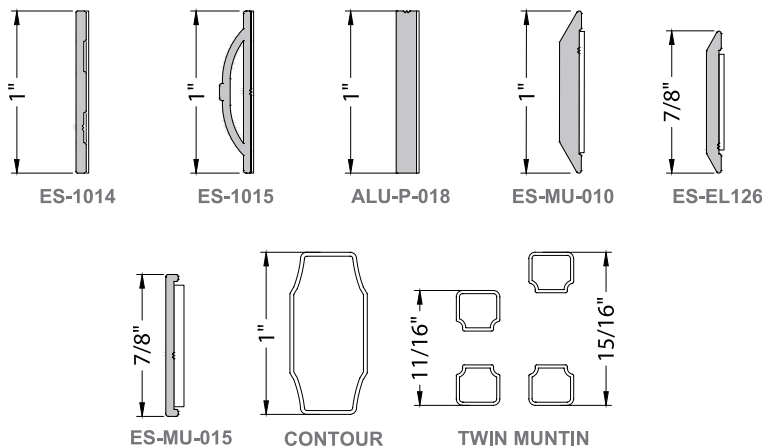
- Thermal control sliding door system.
- Frame depth: 4 1/2".
- Designed for 1 1/4" insulating laminated glass.
- Configurations OX, XO, OXO, OXXO, OXXOX available. (Certifications might not consider every configuration).
- Adjustable tandem polyamide ball bearing rollers.
- Exterior key locking option.
- Screens available in aluminum frame and fiberglass mesh.
- Two point lock with ergonomic handle.
- Anodized, painted finishes available.



Sliding System / Insulated-Laminated Glass



Grid Details



This data corresponds to the highest values obtained for some configurations. It can vary and may not apply to all.

PH-3200

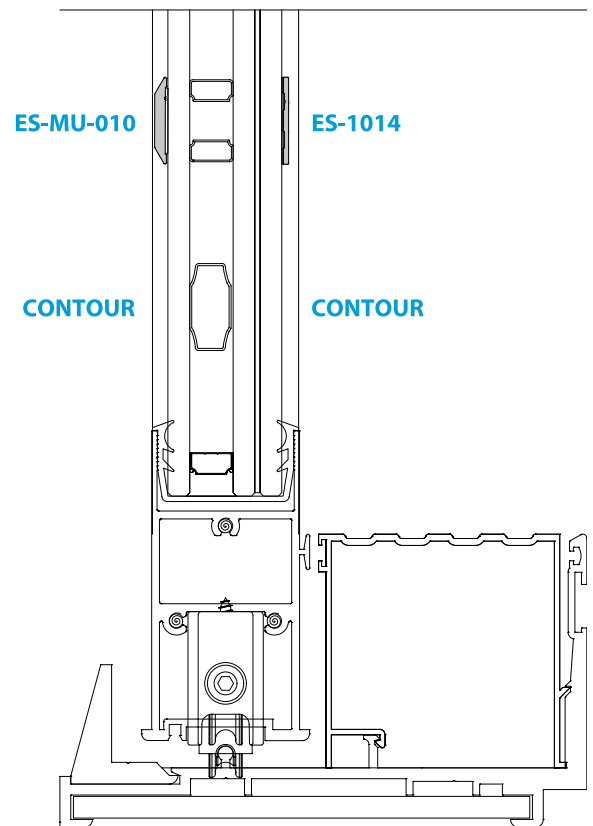
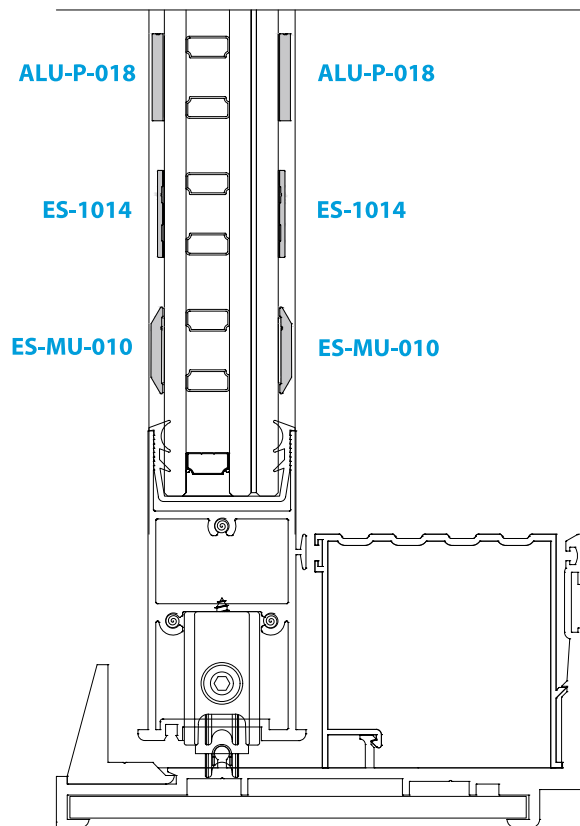
Sliding System

Description:

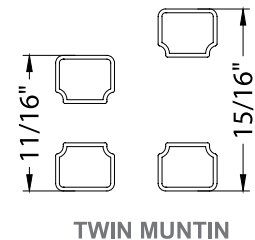
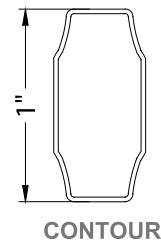
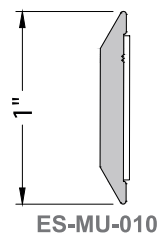
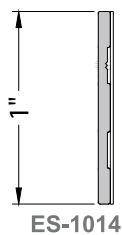
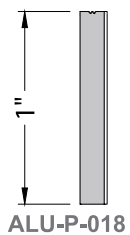
- Large and small missile impact rated.
- Frame depth: 6 1/16".
- Sill height: 3 3/8".
- Two tracks configuration.
- 2 - 4 panels configurations.
- Optional screen for two tracks frame.



Sliding System / Insulated-Laminated Glass



Grid Details



This data corresponds to the highest values obtained for some configurations. It can vary and may not apply to all.

ES-BF5010T

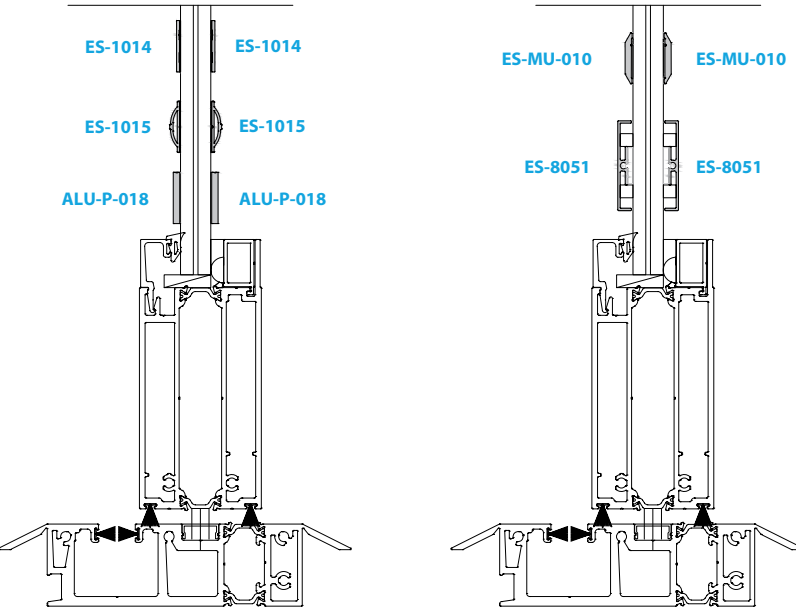
Bifold Door System

Description:

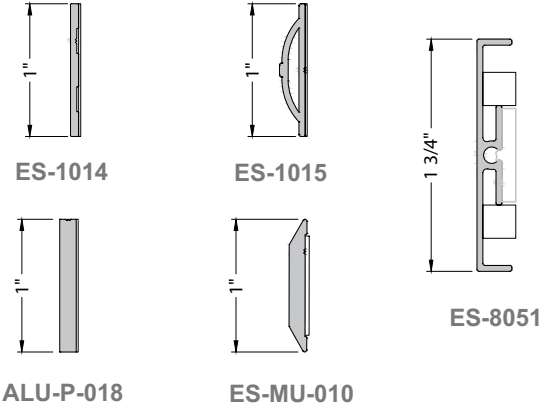
- Multiple panel size:
42" width x 120" height
- Maximum 16 panels center meet
- Frame depth: 5"
- Threshold height: 2 1/2"
- Designed for insulating laminated glass and laminated glass



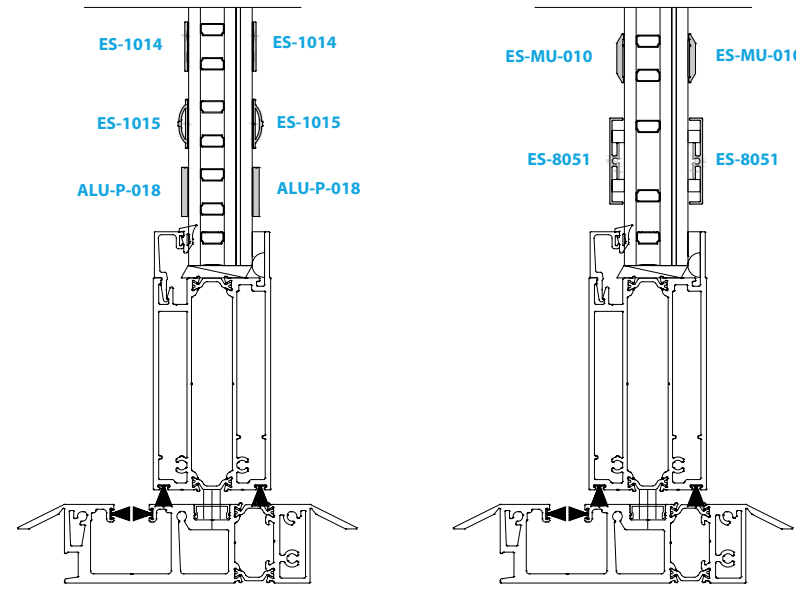
Sliding System / Laminated Glass



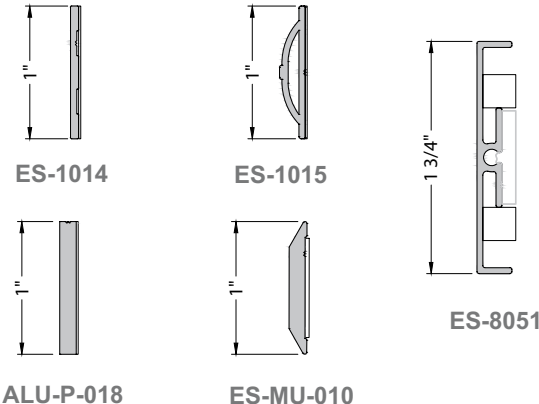
Grid Details



Sliding System / Insulated- Laminated Glass



Grid Details

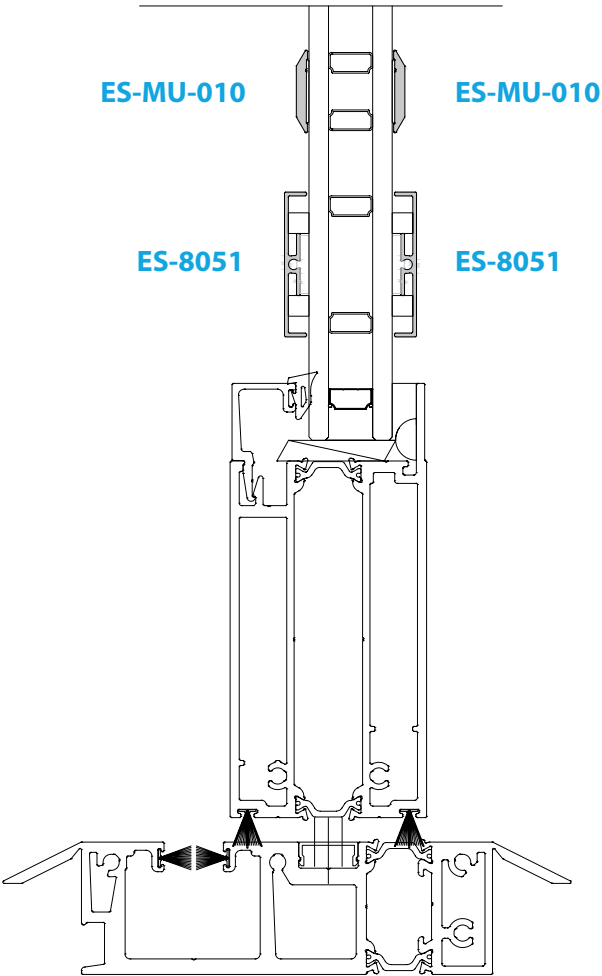
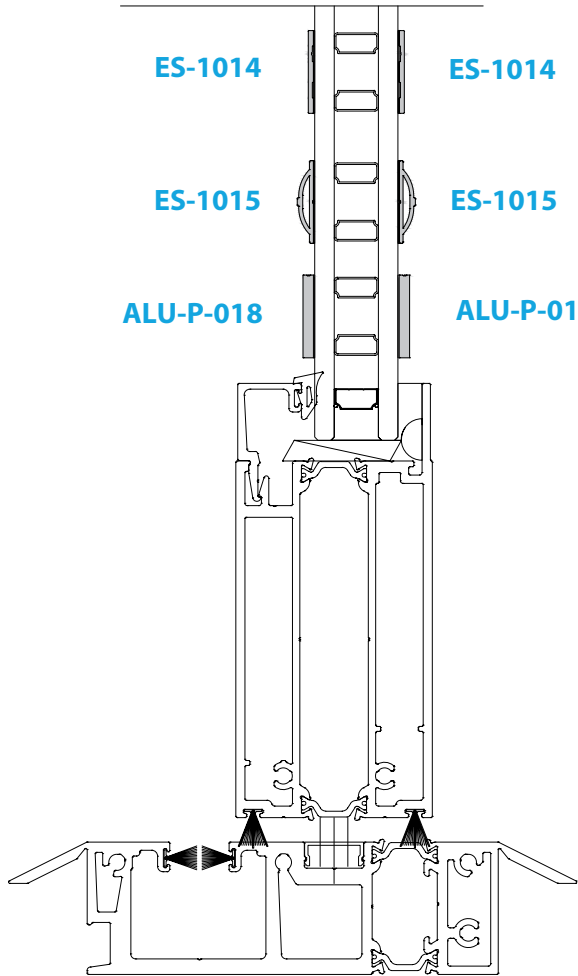


This data corresponds to the highest values obtained for some configurations. It can vary and may not apply to all.

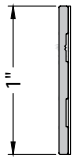
ES-BF5010T

Bifold Door System

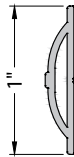
Sliding System / Insulated Glass



Grid Details



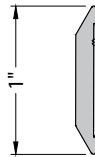
ES-1014



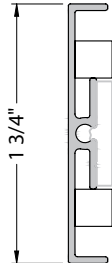
ES-1015



ALU-P-018



ES-MU-010



ES-8051



TWIN MUNTIN



ES

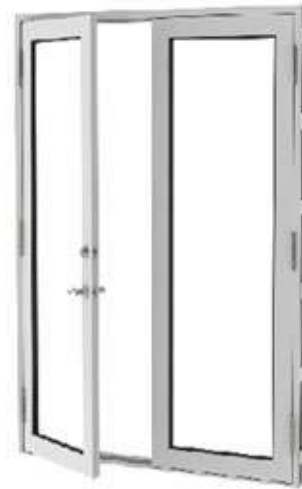
Swing System

ES-3000/MX3000

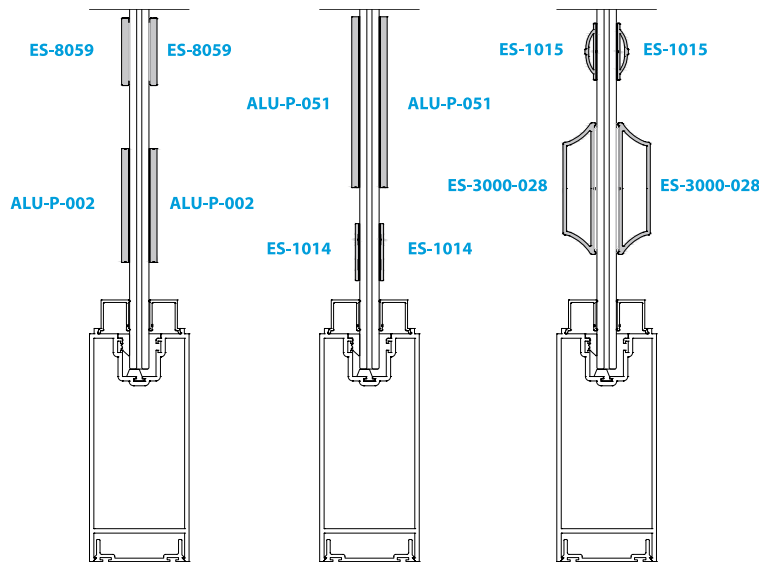
Swing System

Description:

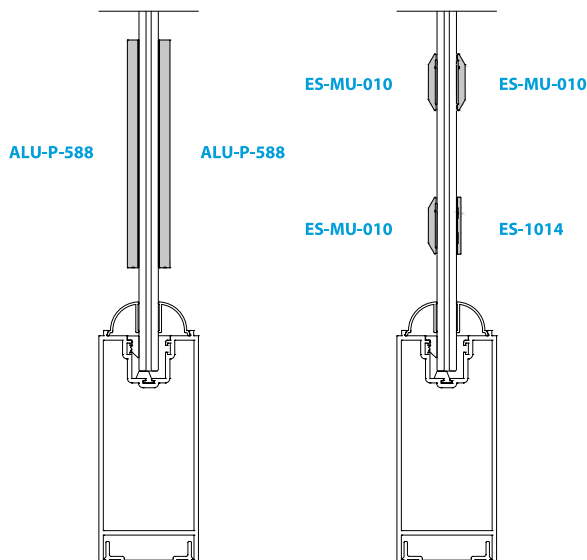
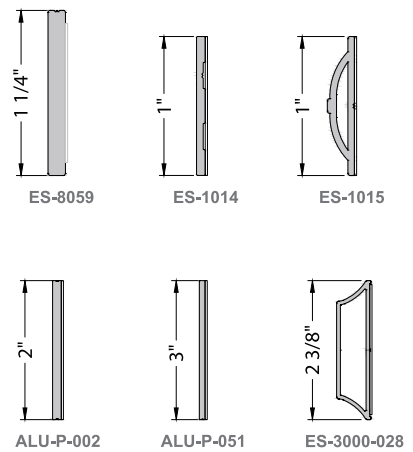
- Large missile impact.
- Out swing motion.
- 1 3/4" depth, 4" frame depth, 1 1/2 " sight line.
- Extruded aluminum butt or steel hinges.
- Designed for laminated glass between 5/16 and 7/16.
- Large missile impact.
- Pre-assembled & pre-glazed.
- Anodized, painted finishes available.



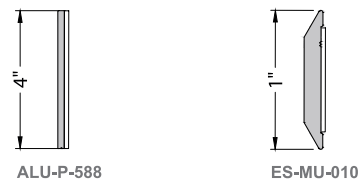
Swing System / Laminated Glass



Grid Details



Grid Details



This data corresponds to the highest values obtained for some configurations. It can vary and may not apply to all.

ES-45T

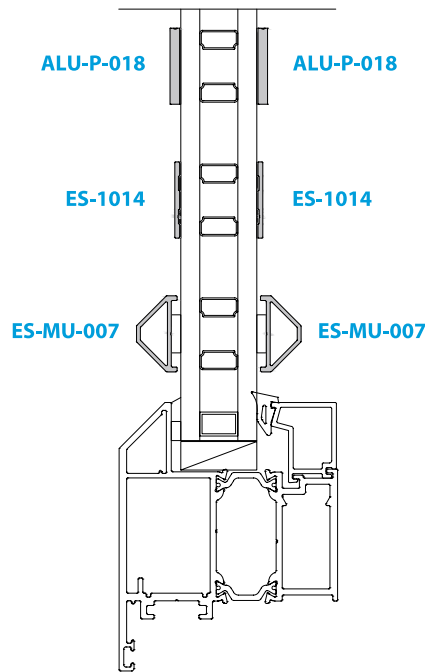
Swing System



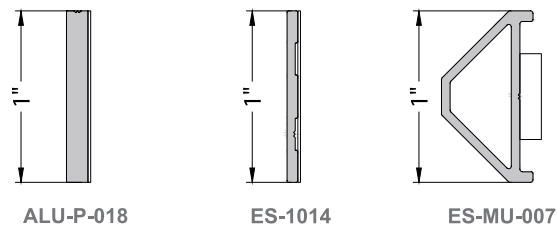
Description:

- Thermally broken balcony door system.
- Frame depth: 4.5".
- Sight line: 4 7/8".
- Designed for 1" insulated glass.
- Configurations X, O/XX, OXXO. (Certifications might not consider every configuration).
- ADA threshold and High bottom rail optional.
- Multipoint lock.
- Pre-assembled door leaf.
- Fully weather-stripped.
- Sidelite and transom available.
- Anodized, painted finishes available.

Swing System / Insulated Glass



Grid Details



This data corresponds to the highest values obtained for some configurations. It can vary and may not apply to all.

ES-46T

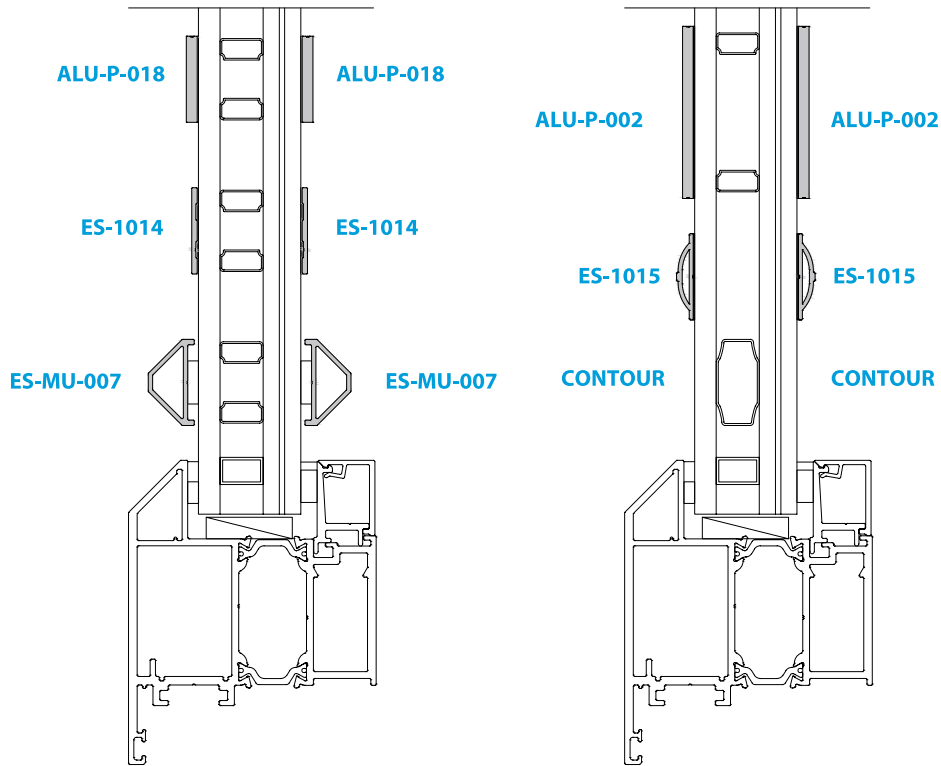
Swing System

Description:

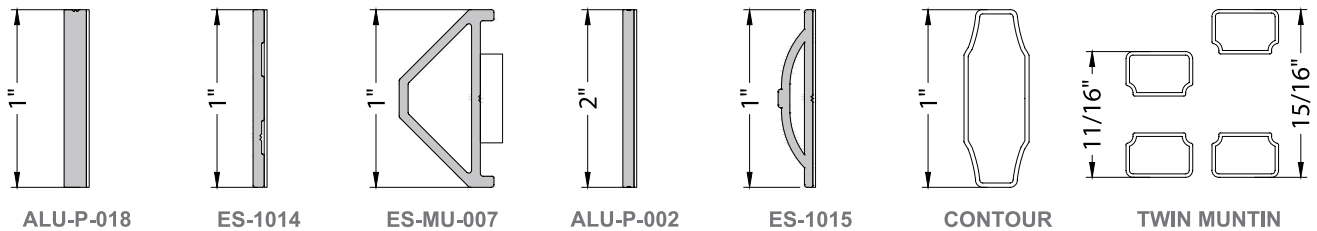
- Large missile impact and small missile impact.
 - Frame depth: 4 1/2".
 - Frame sight line: 4 7/8".
- (Certifications might not consider every configurations).
- Optional strap anchor.
 - Two point lock and three point lock handle.
 - Compatible with window wall systems.
 - Thermal Broken system.
 - Anodized, painted and wood grain finishes available.



Swing System / Insulated-Laminated Glass



Grid Details



This data corresponds to the highest values obtained for some configurations. It can vary and may not apply to all.

ES-9000/9100

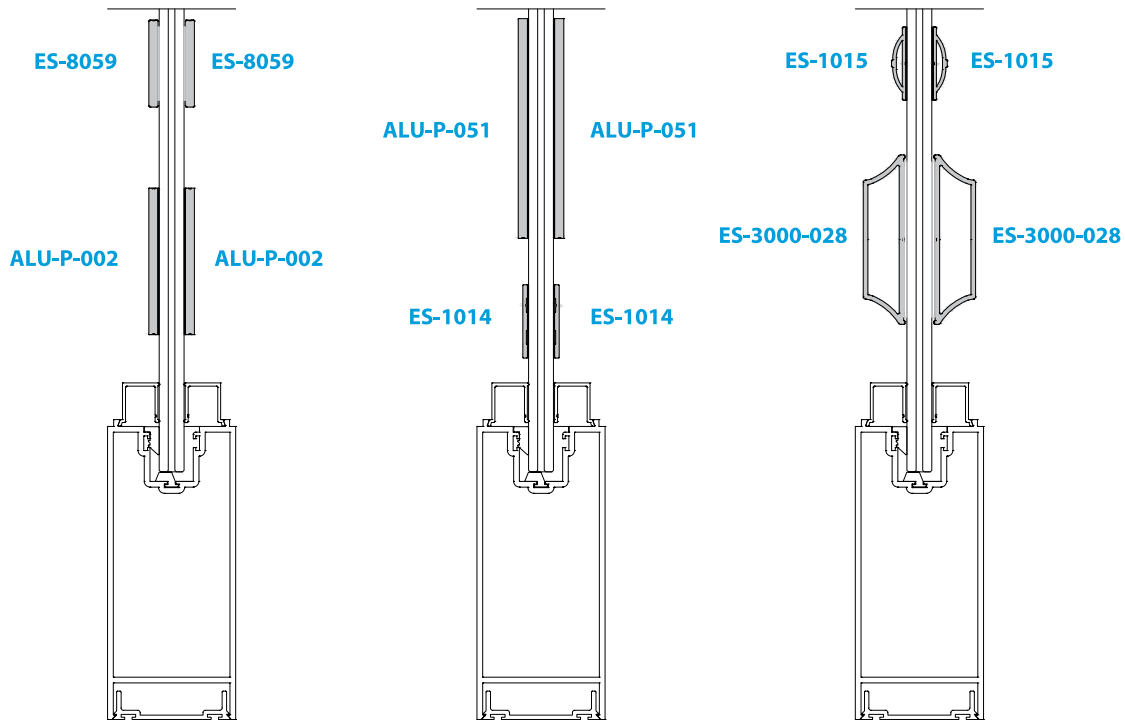
Swing System

Description:

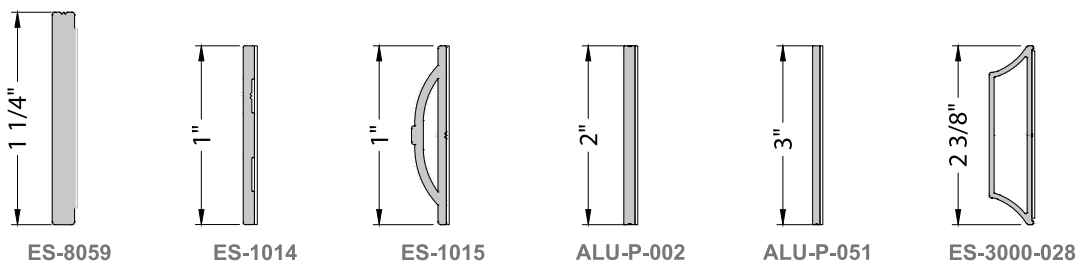
- Impact door system.
- Frame depth: 5".
- Sight line: 1 3/4" or 2 1/2".
- Designed for 9/16" laminated and 1 1/16" insulated-laminated glass.
- Pre-assembled door leaf.
- Fully weadherstripped.
- Stainless steel hardware.
- High and ADA thresholds.
- Corners are reinforced with welded aluminum brackets.
- Anodized, painted or wood grain finishes available.



Swing System / Laminated Glass



Grid Details



This data corresponds to the highest values obtained for some configurations. It can vary and may not apply to all.

ES-EL300

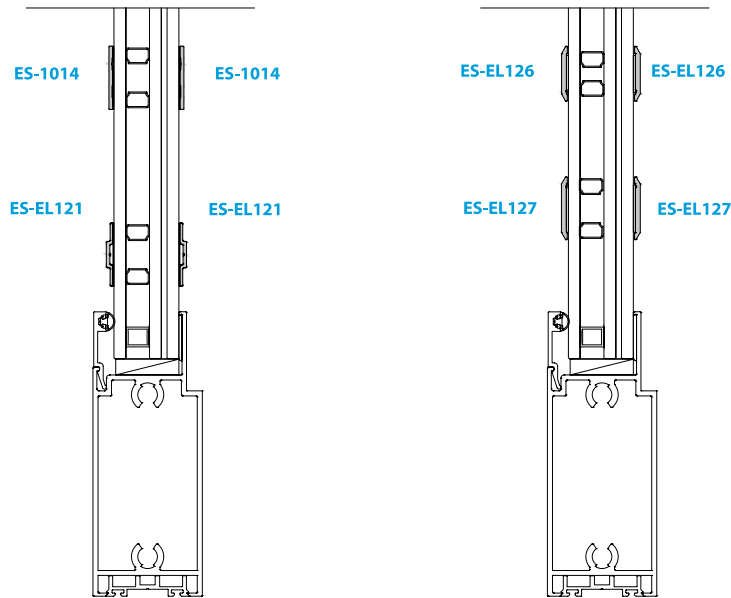
Swing System

Description:

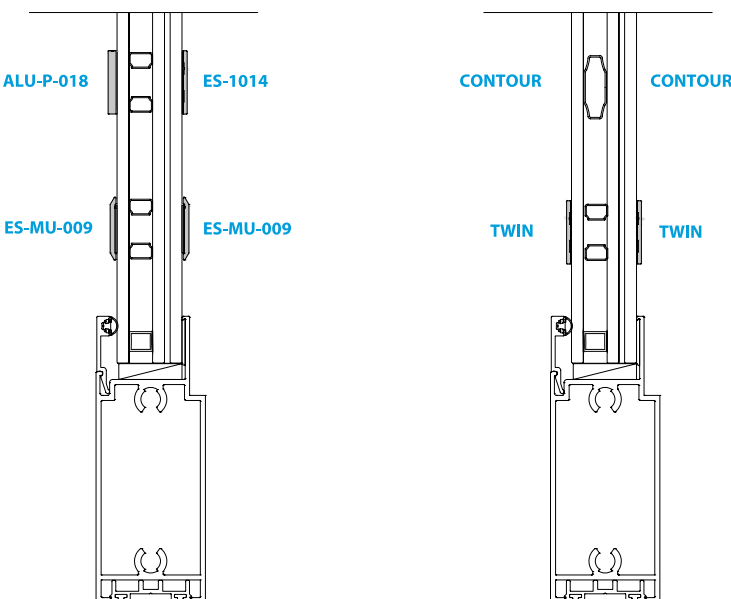
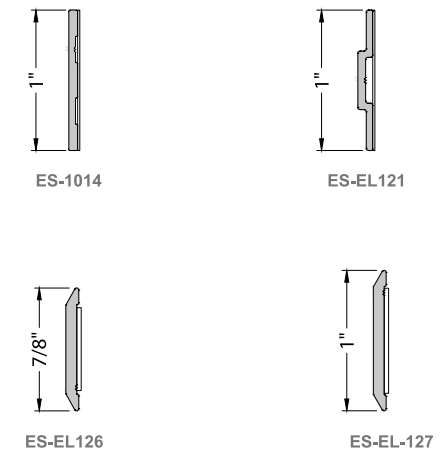
- Large missile impact and small missile impact.
- Frame depth: 4".
- Designed for laminated [7/16"] and insulating-laminated glass [1"].
- Steel and aluminium hinges.
- ADA thresholds available.
- Pre-assembled and pre-glazed.
- Edge drip available.



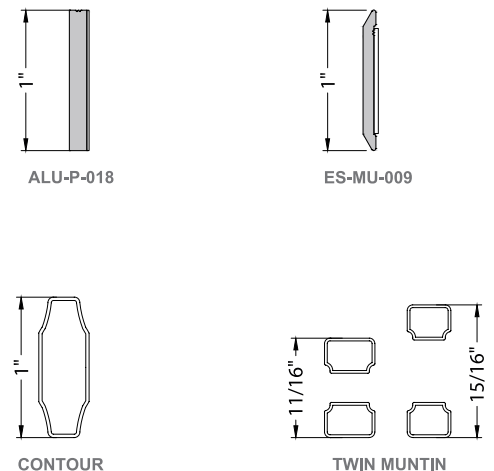
Swing System / Insulated-Laminated Glass



Grid Details



Grid Details

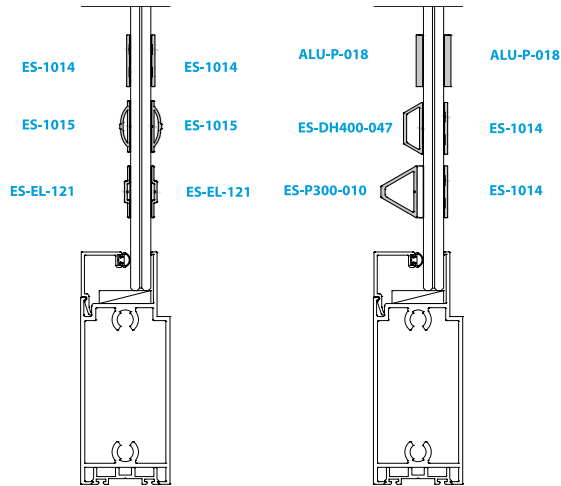


This data corresponds to the highest values obtained for some configurations. It can vary and may not apply to all.

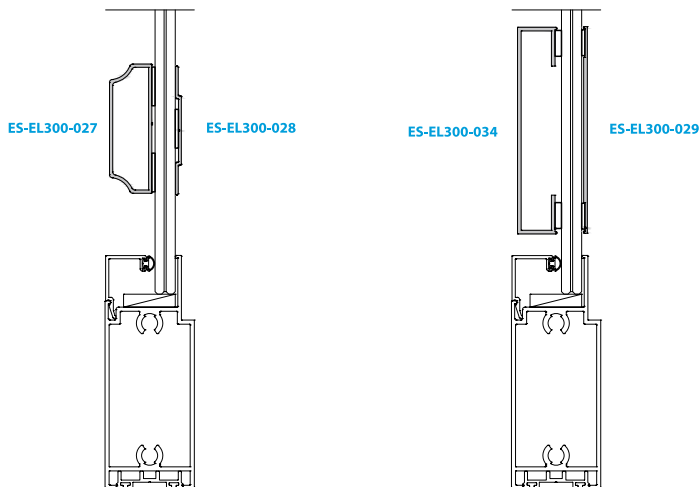
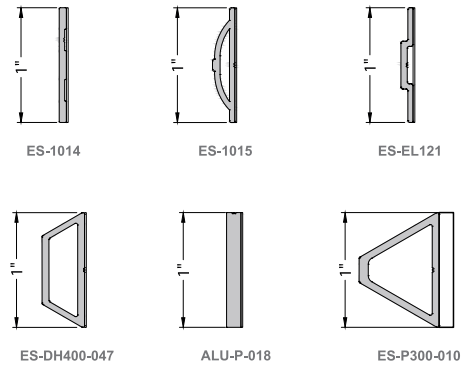
ES-EL300

Swing System

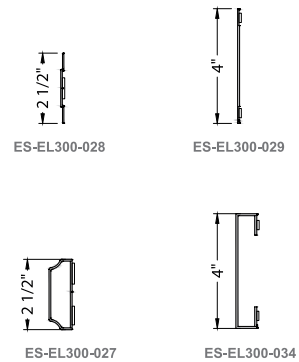
Swing System / Laminated Glass



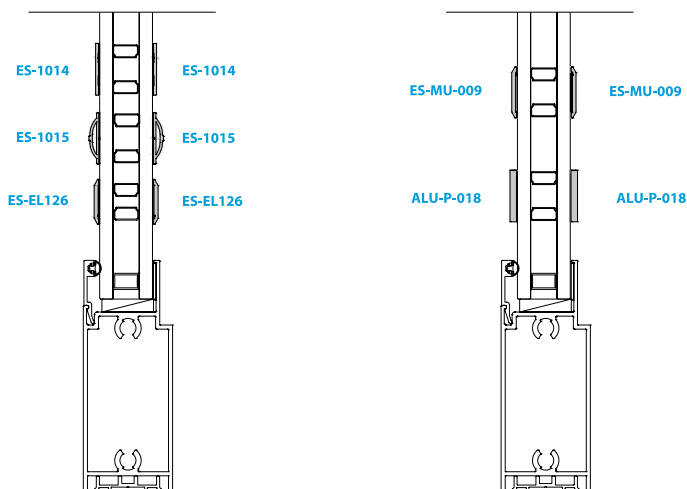
Grid Details



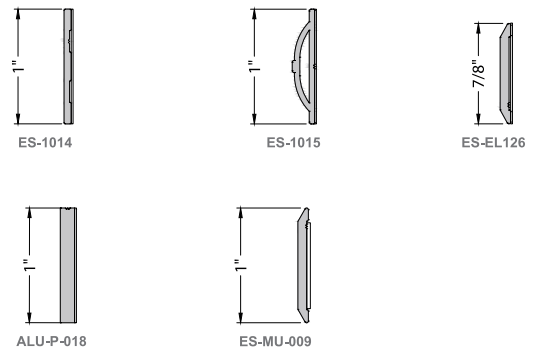
Grid Details



Swing System / Insulated Glass



Grid Details



This data corresponds to the highest values obtained for some configurations. It can vary and may not apply to all.

ES-PSD5030T

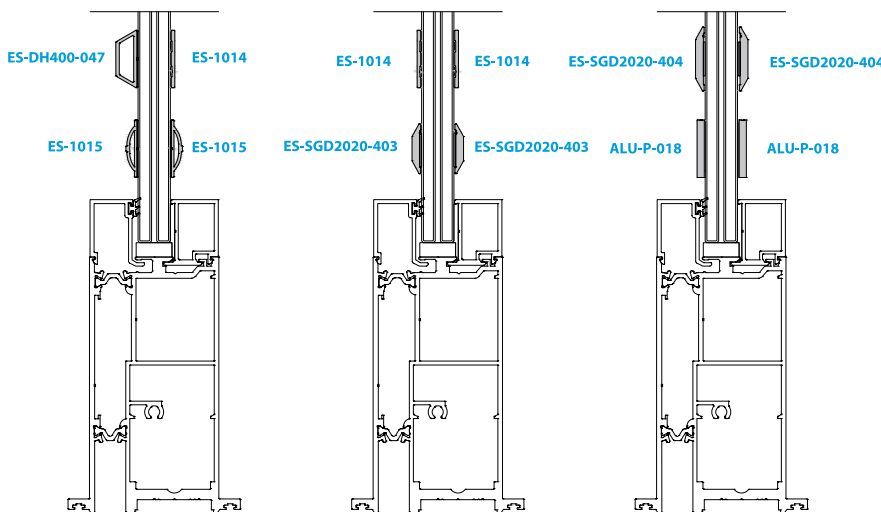
Swing System

Description:

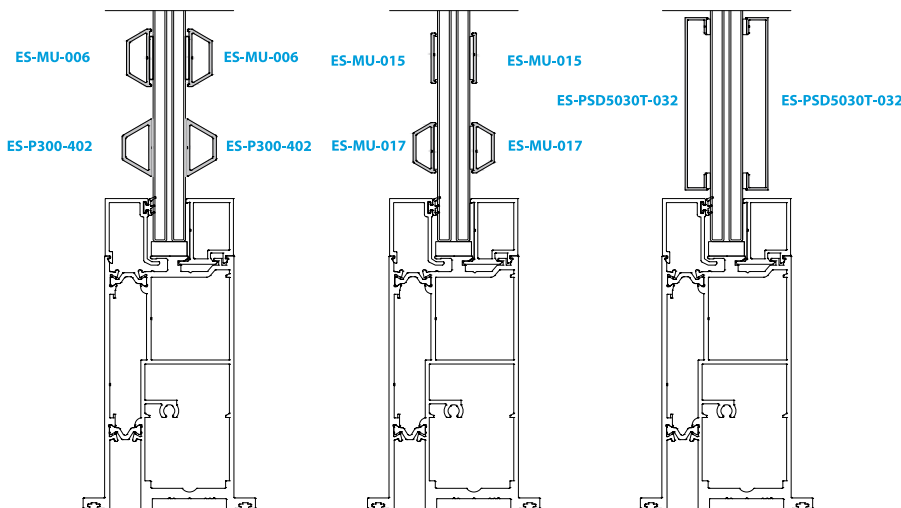
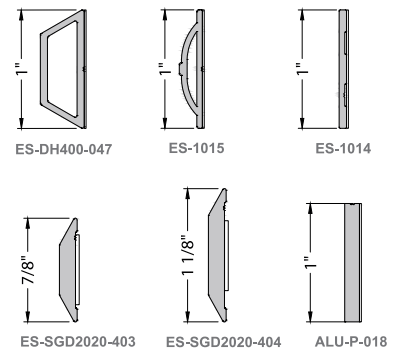
- Pivot door system.
- Frame depth: 5".
- Impact door.
- Treshold ADA.
- Desing for multiple options of glass and Phenolic panel.
- Thermal break system for improved performance and insulation.
- Multipoint lock.
- Available in multiple finishes, anodized, painted or with wood grain.



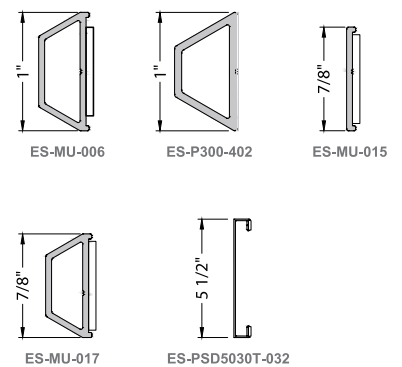
Swing System / Laminated Glass



Grid Details



Grid Details



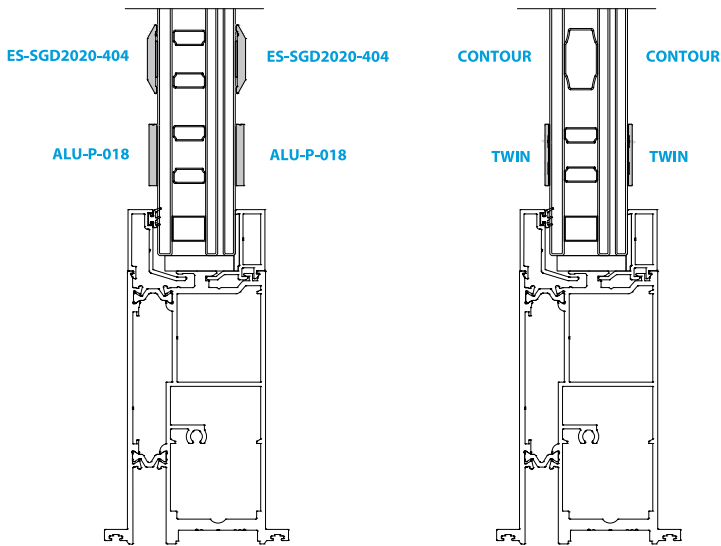
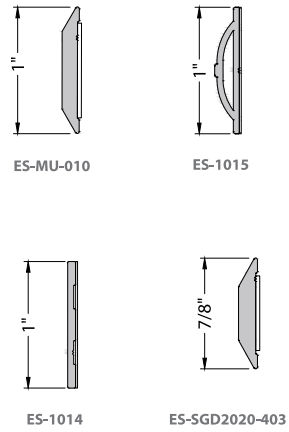
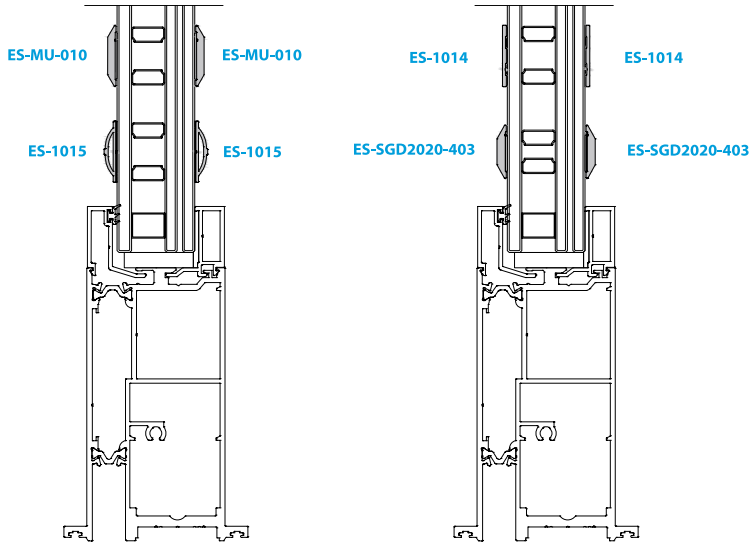
This data corresponds to the highest values obtained for some configurations. It can vary and may not apply to all.

ES-PSD5030T

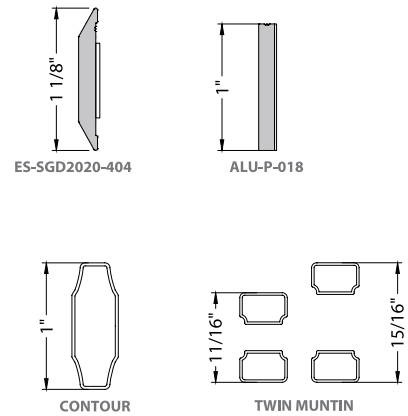
Swing System

Swing System / Insulated-Laminated Glass

Grid Details



Grid Details

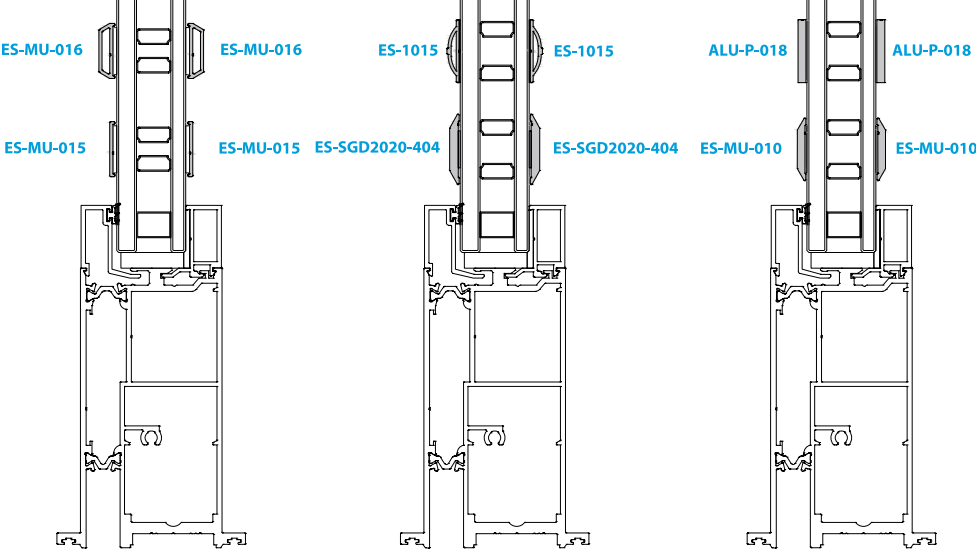


This data corresponds to the highest values obtained for some configurations. It can vary and may not apply to all.

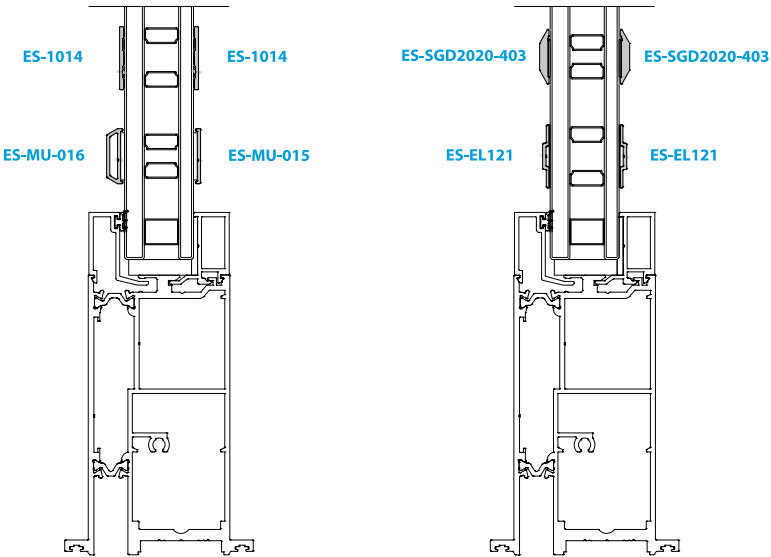
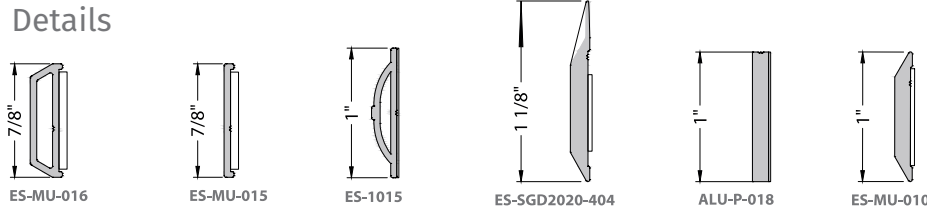
ES-PSD5030T

Swing System

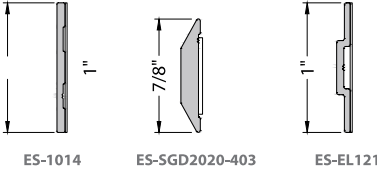
Swing System / Insulated Glass



Grid Details



Grid Details





ES

imagine
extraordinary